

# Badewannenaufsatz B1



1400 x 750 x 4

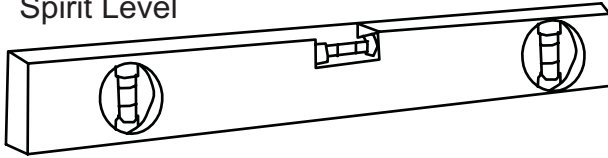
## TOOLS REQUIRED (NOT SUPPLIED)

-When you're ready to start, make sure that you have the following tools to hand, plenty of space and a clean dry area for assembly.

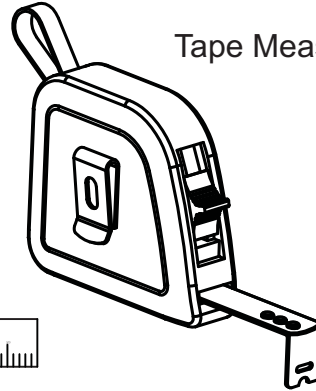
Two people are needed. Please note: although these instructions are comprehensive, we always recommend that a technically competent installer should undertake installation.



Spirit Level



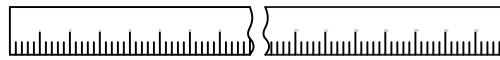
Tape Measure



Pencil



Ruler



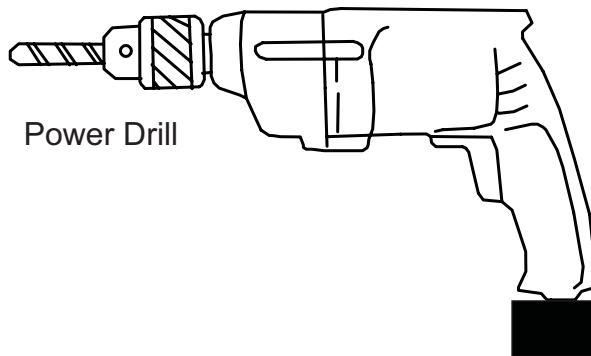
3mm Diameter Drill Bit



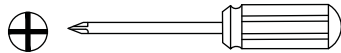
6mm Diameter Drill Bit



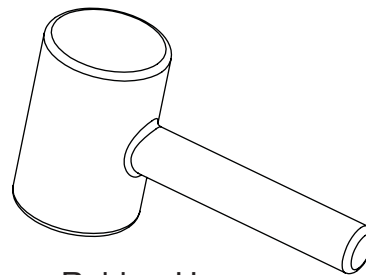
Cross-Head Driver Bit



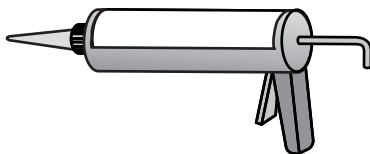
Power Drill



Magnetic Cross-head Screwdriver



Rubber Hammer



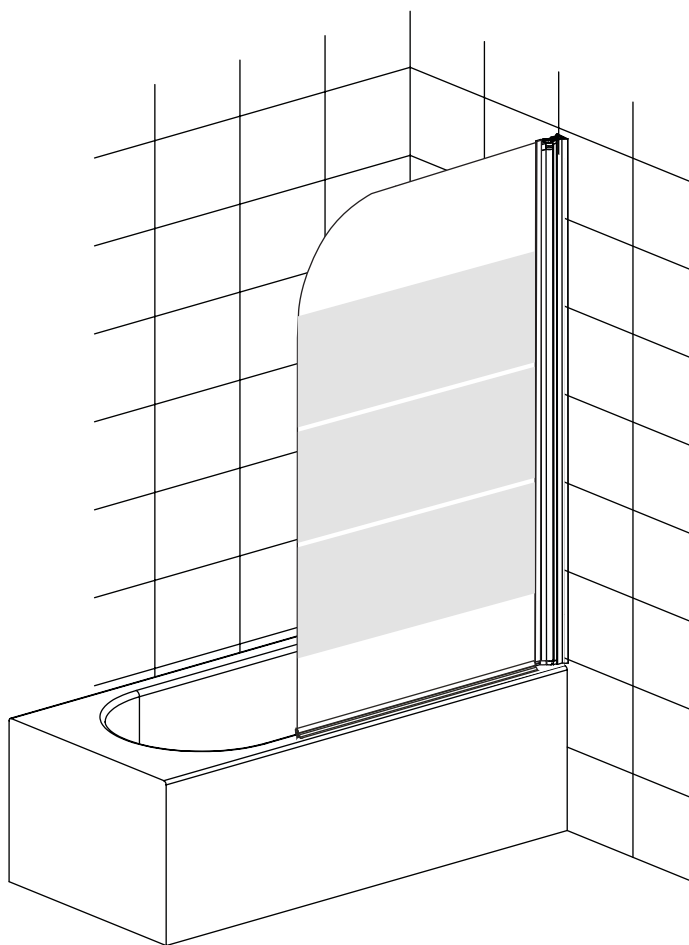
Silicone Sealant

## BEFORE INSTALLATION & IMPORTANT SAFETY NOTES

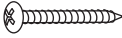
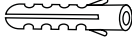


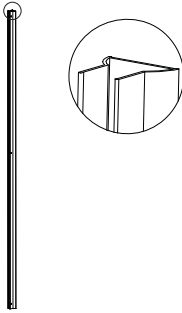


- All dimensions are shown in millimeters except where indicated.
  - When working near a tray or bath insert the plug in the waste fitting so that small parts cannot be lost.
  - Ensure that the enclosure is fitted to a level floor and vertical wall surface.
- Note: The wall fixings included with this product are suitable for solid walls only.  
Plasterboard or stud walls may require specialist fixings(not supplied).
- Please handle all glasses with care, avoid knocks and shock loading to all sides and edges.
- Safety glass cannot be reworked.
- Care should be taken when drilling into walls to avoid hidden pipes or electrical cables.

## AFTERCARE INSTRUCTIONS

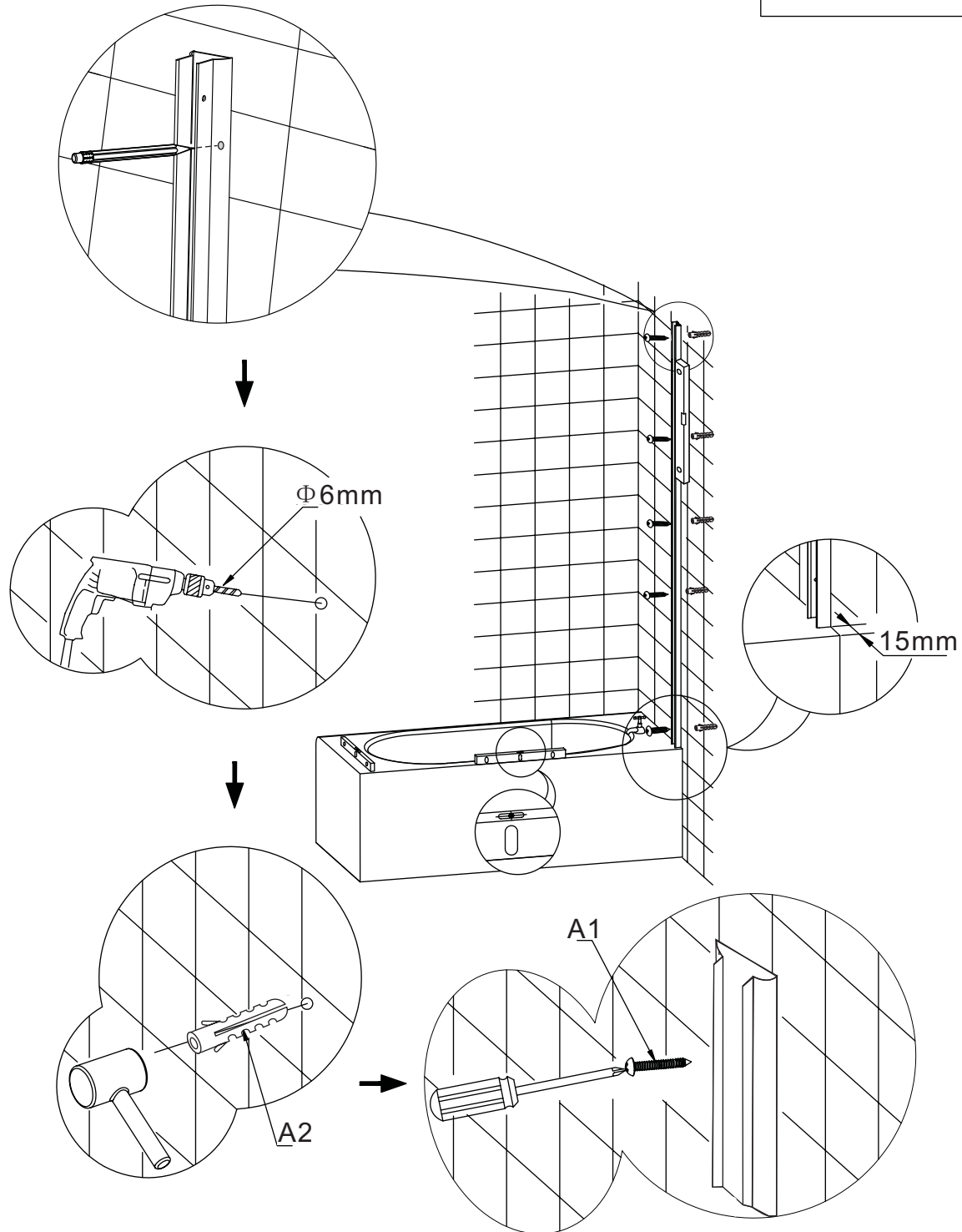
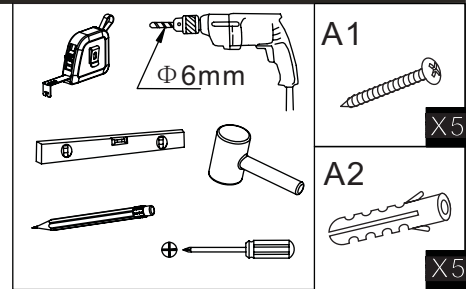
- Please pay attention to the connection of swivel bearing, ensure nothing inside to obstruct the movement of the screen.
- Soap and water will be adequate to clean the glass, Glass cleaner can be used if required.
- In hard water districts, insoluble lime salts may be deposited on the glass. If this deposit is allowed to build up, it becomes increasingly difficult to remove and looks unsightly. Regular cleaning will minimise this effect.



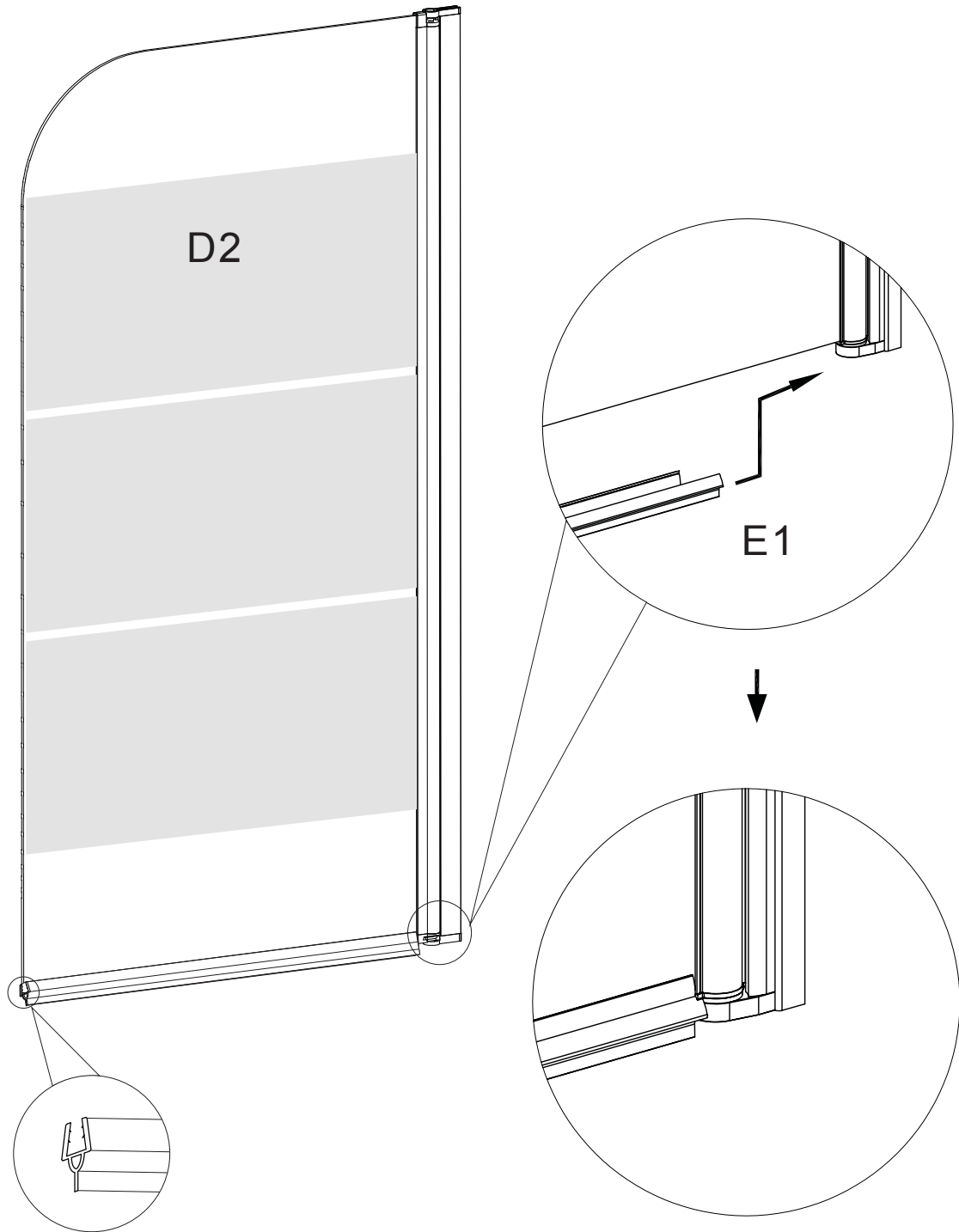
# PART LIST

Ref	Description	Illustration	Qty
A1	ST4X30mm		5
A2	Wall plug		5
B	ST4X12mm		4
C	Screw cover		4
D1	Wall profile		1
D2	Pivot-screen panel		1
E1	Plastic Stripe		1

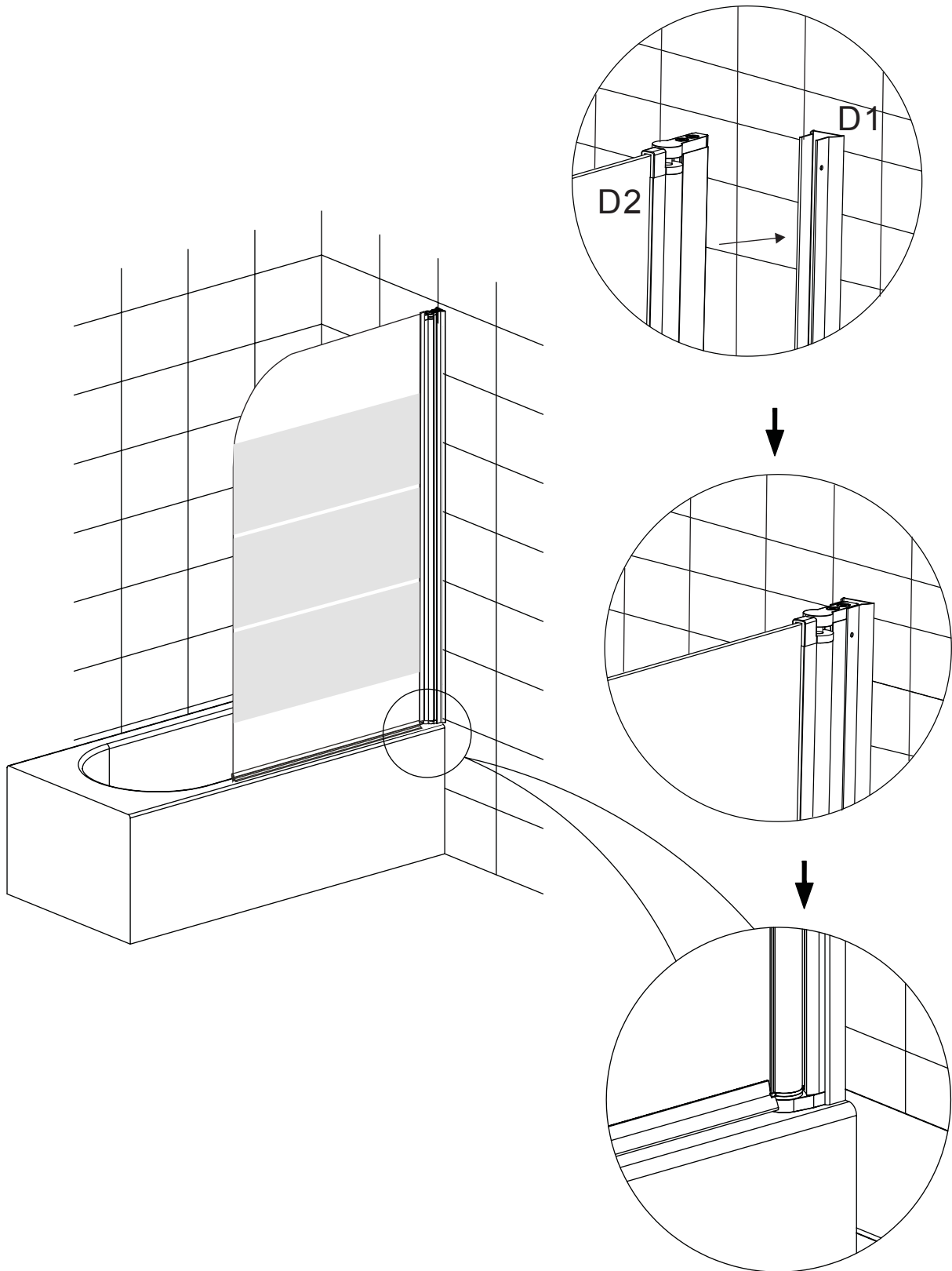
# INSTALLATION



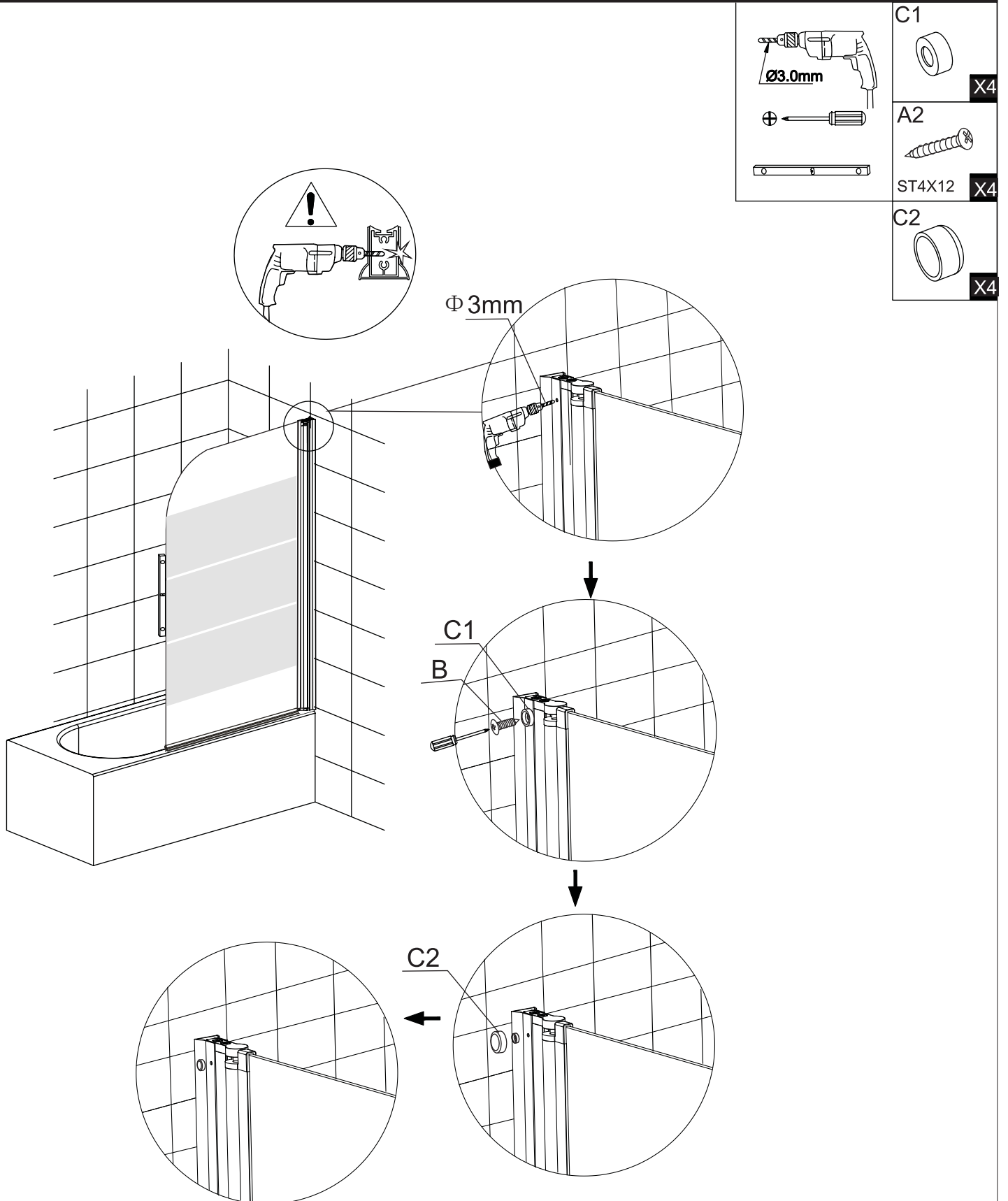
# INSTALLATION



# INSTALLATION

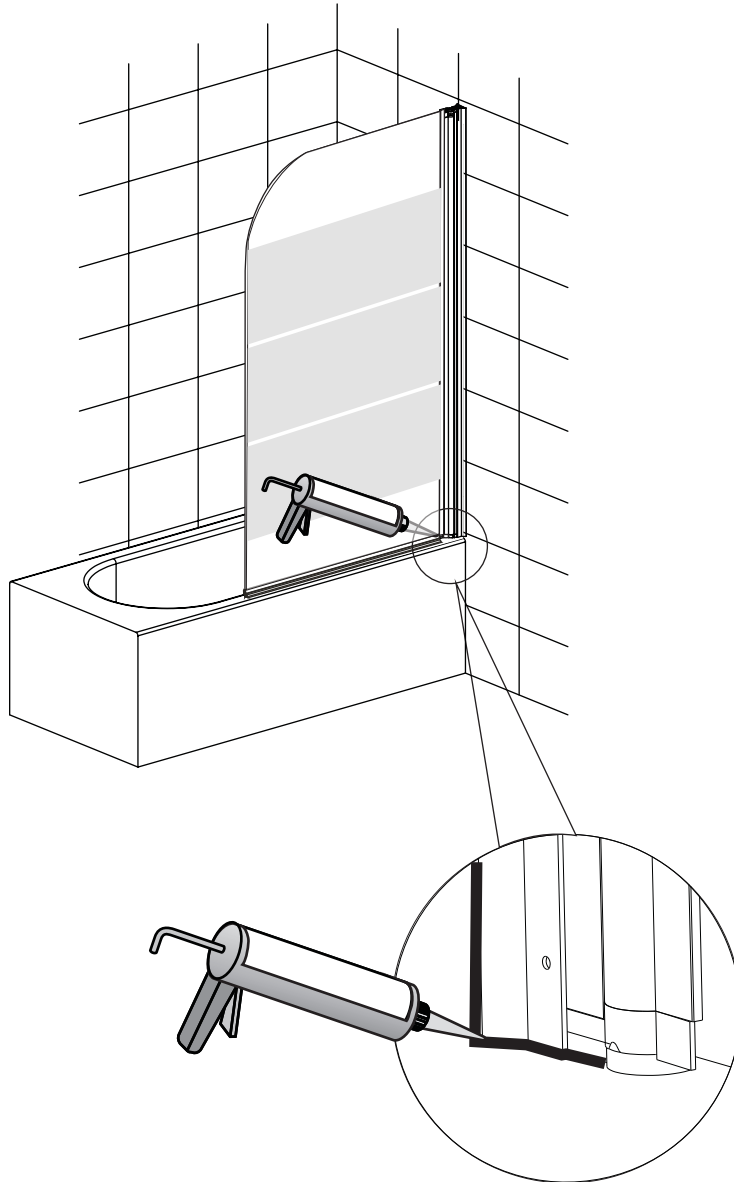


# INSTALLATION

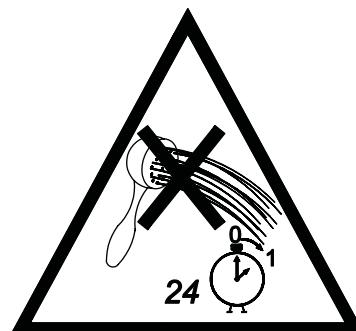




# INSTALLATION



DO NOT USE THE BATHTUB SCREEN FOR  
AT LEAST 24 HOURS IN ORDER TO  
ALLOWE THE SILICONE TO DRY FULLY





17

Duschmeister GmbH & Co. KG  
An der Strusbek 52a  
22926 Ahrensburg bei Hamburg  
Deutschland

Duschkabine K-035HB

Leistungserklärung: EC.1282.00130702.FSO1451

**EN 14428:2004+A1:2008**

Duschkabine aus Aluminium und Glas

Verwendungszweck: Körperhygiene

Reinigbarkeit: Bestanden

Brucheigenschaften: Bestanden

Dauerhaftigkeit: Bestanden