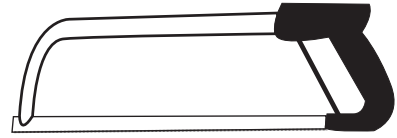
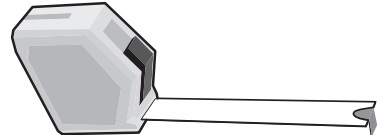
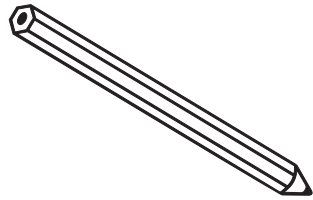
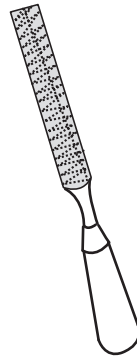
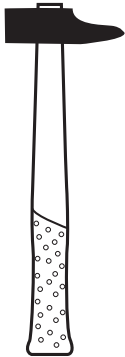
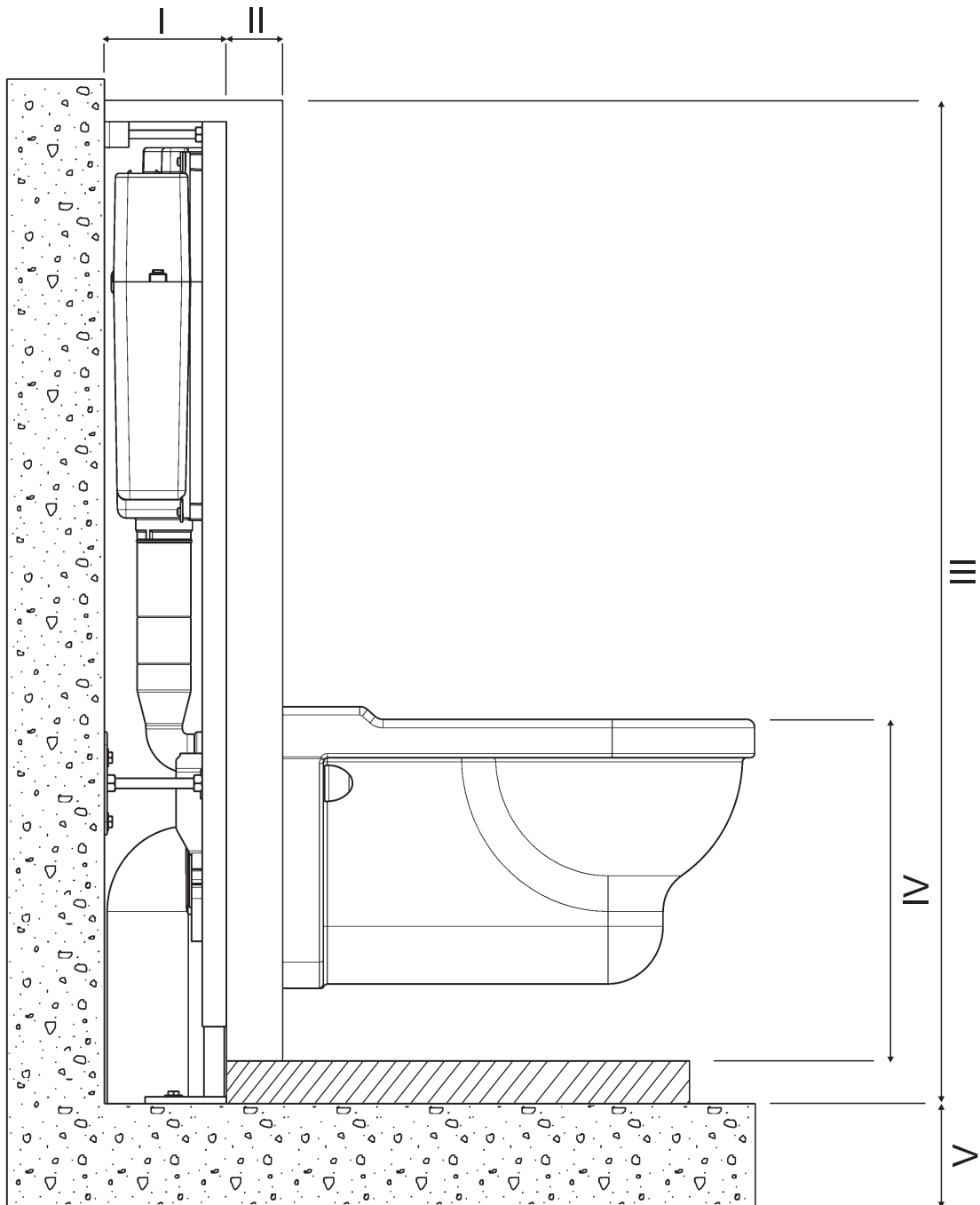


Ø 10 mm



13 + 17 + 19





I = 147 mm - 245 mm

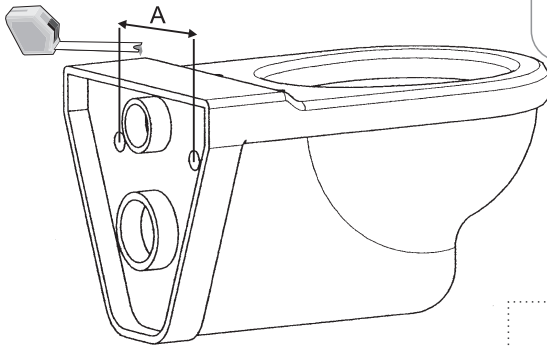
II = 16 mm - 80 mm

III = 1100 mm - 1300 mm

IV = 400 - 500 mm

V = < 185 mm

1



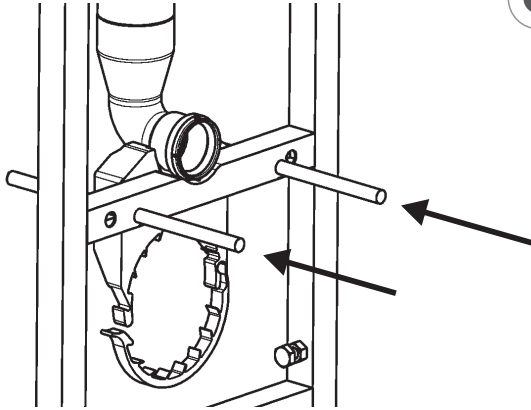
A = 180 mm

2-1

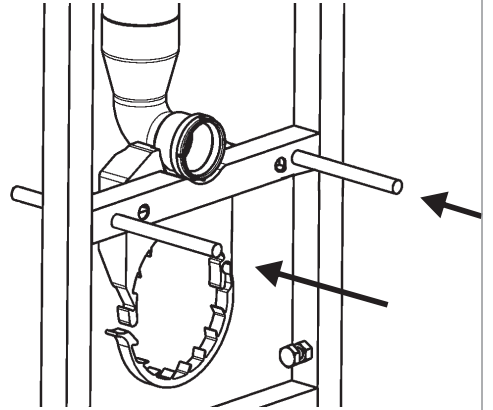
A = 230 mm

2-2

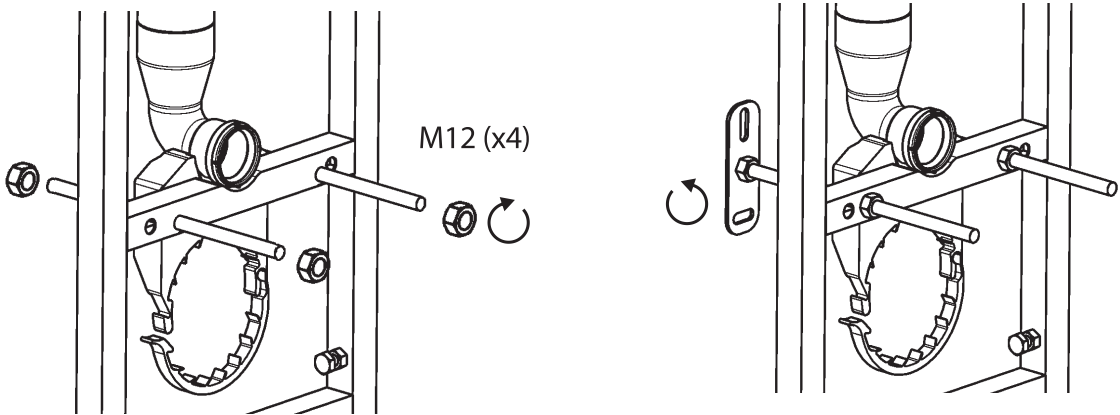
2-1



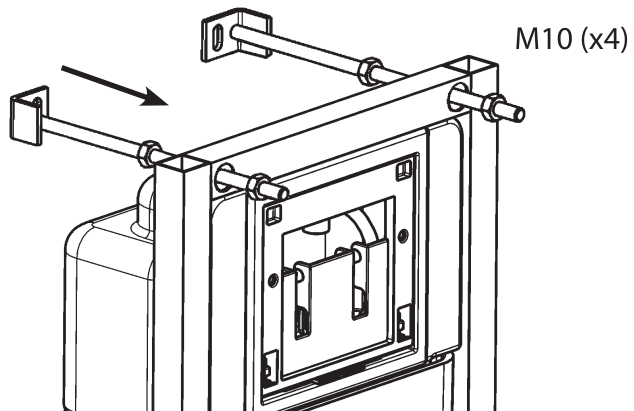
2-2



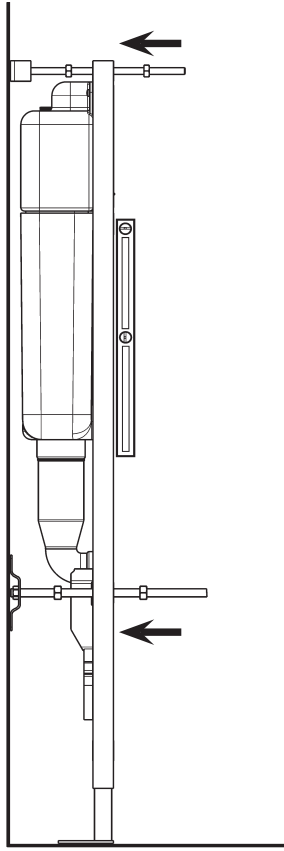
3



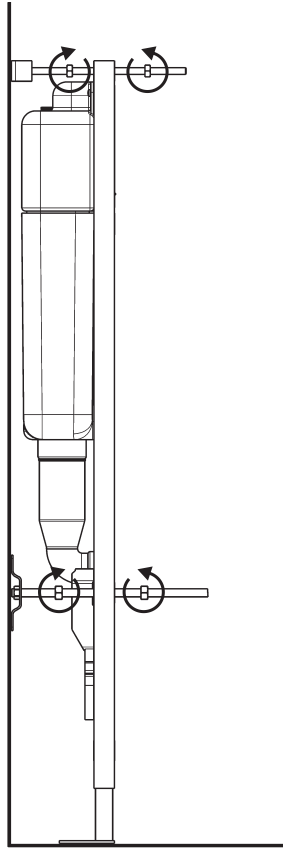
4



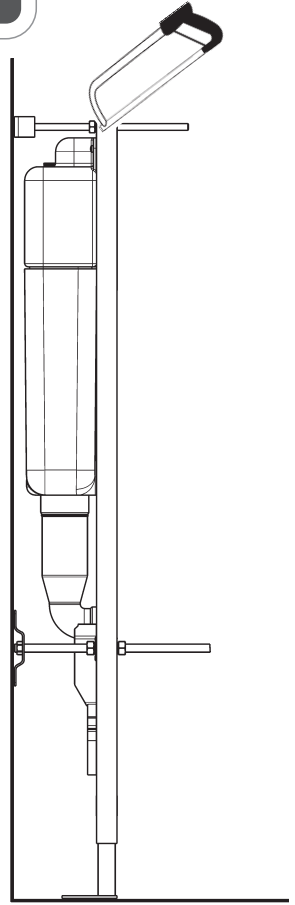
5



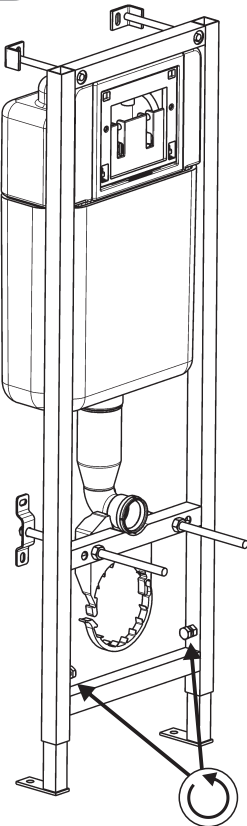
6



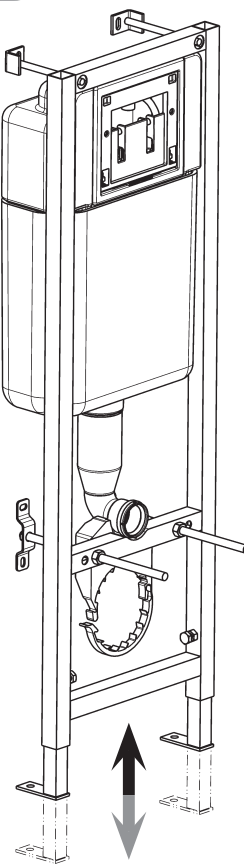
7



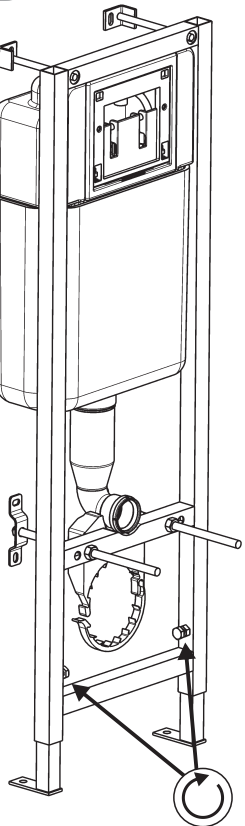
8



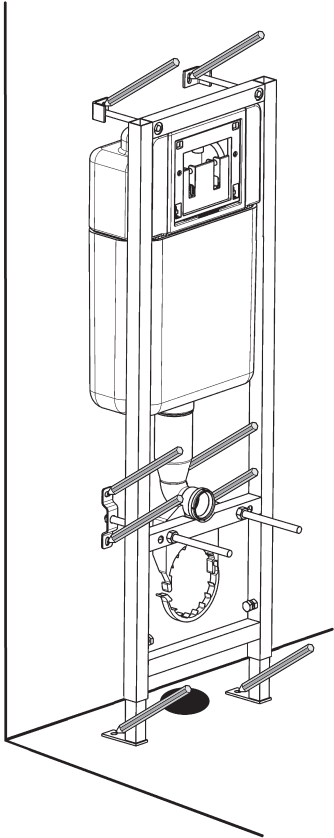
9



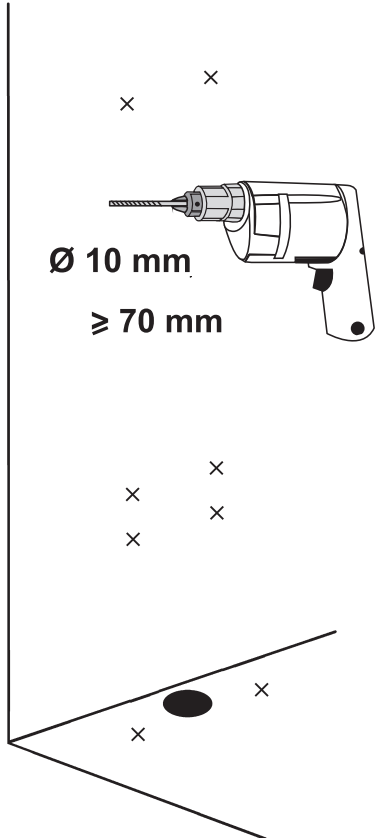
10



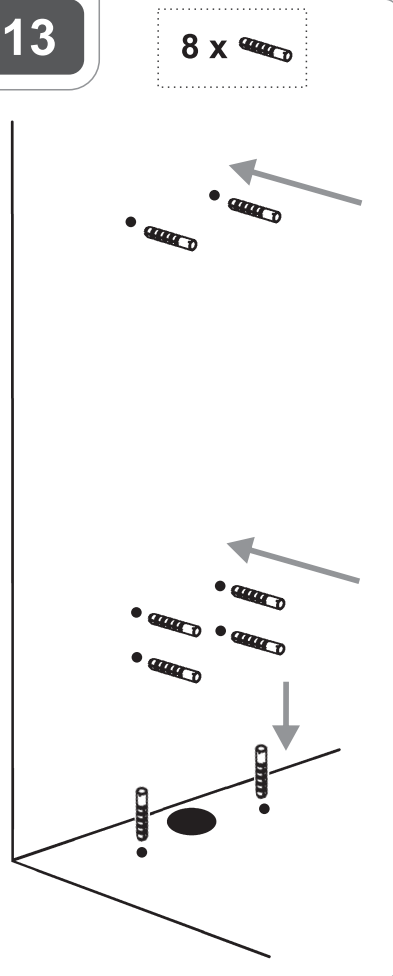
11



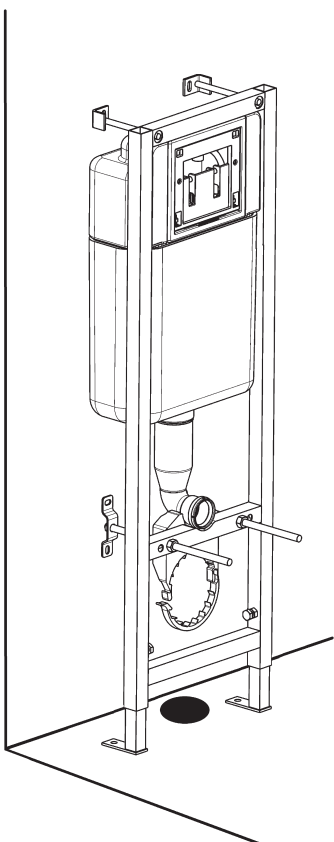
12



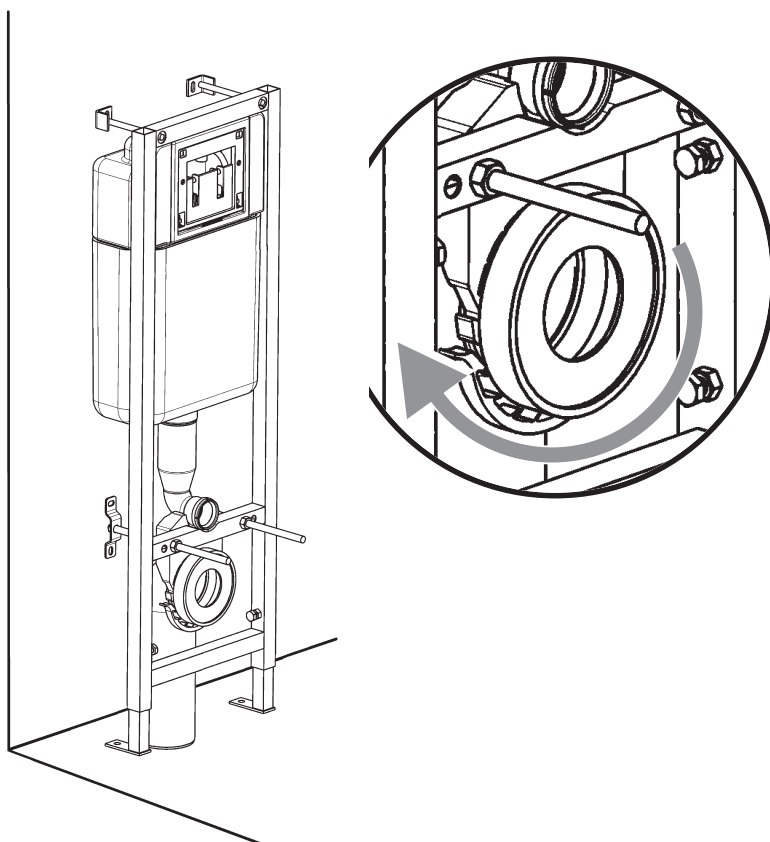
13



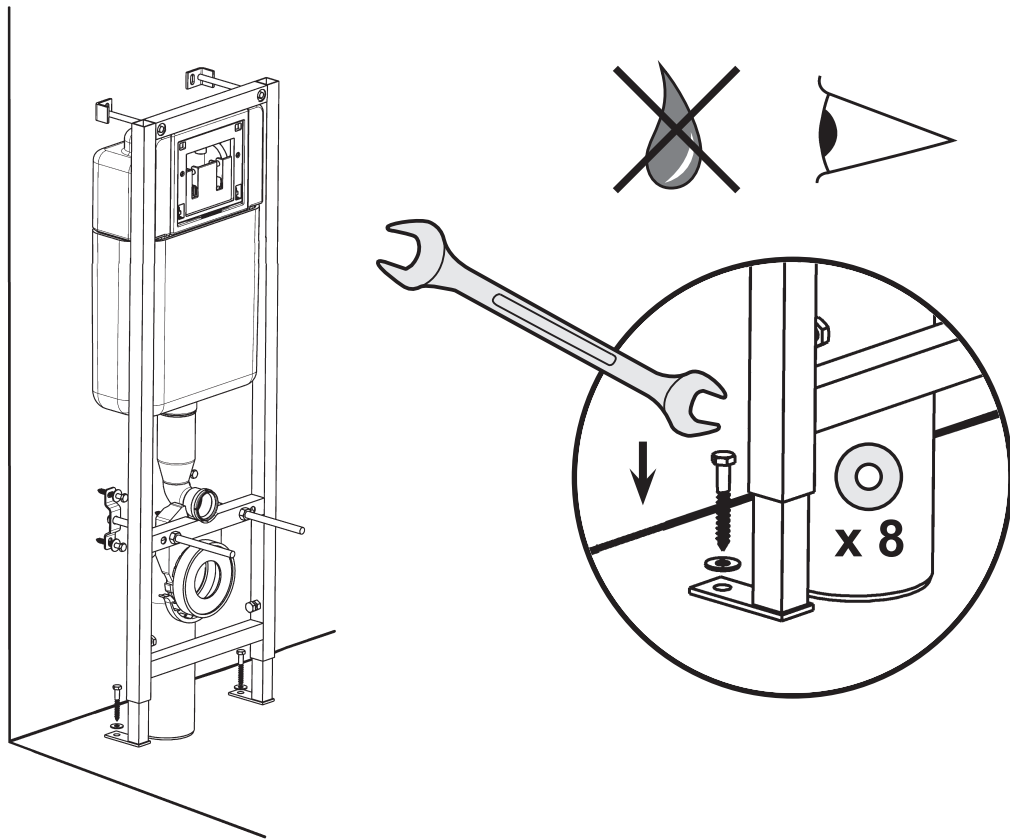
14



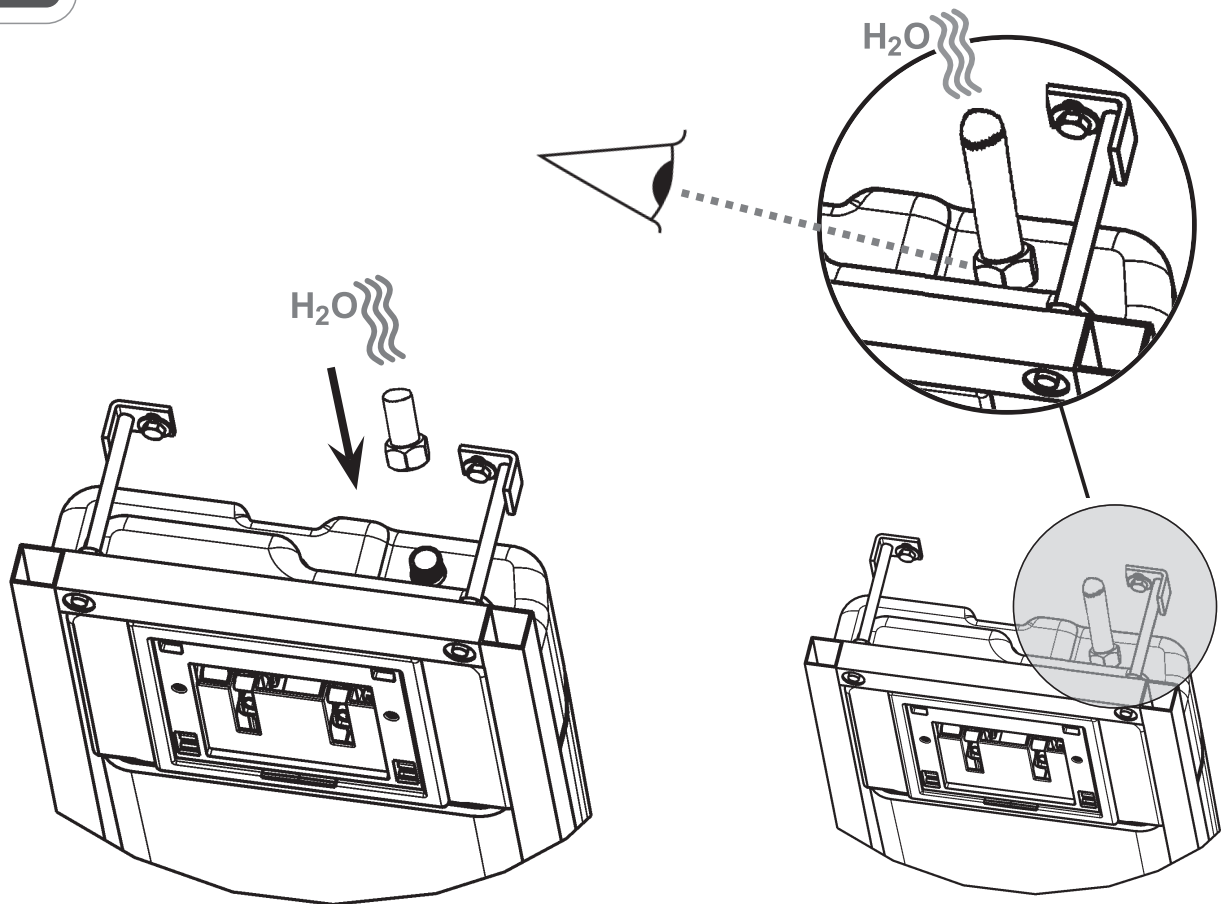
15



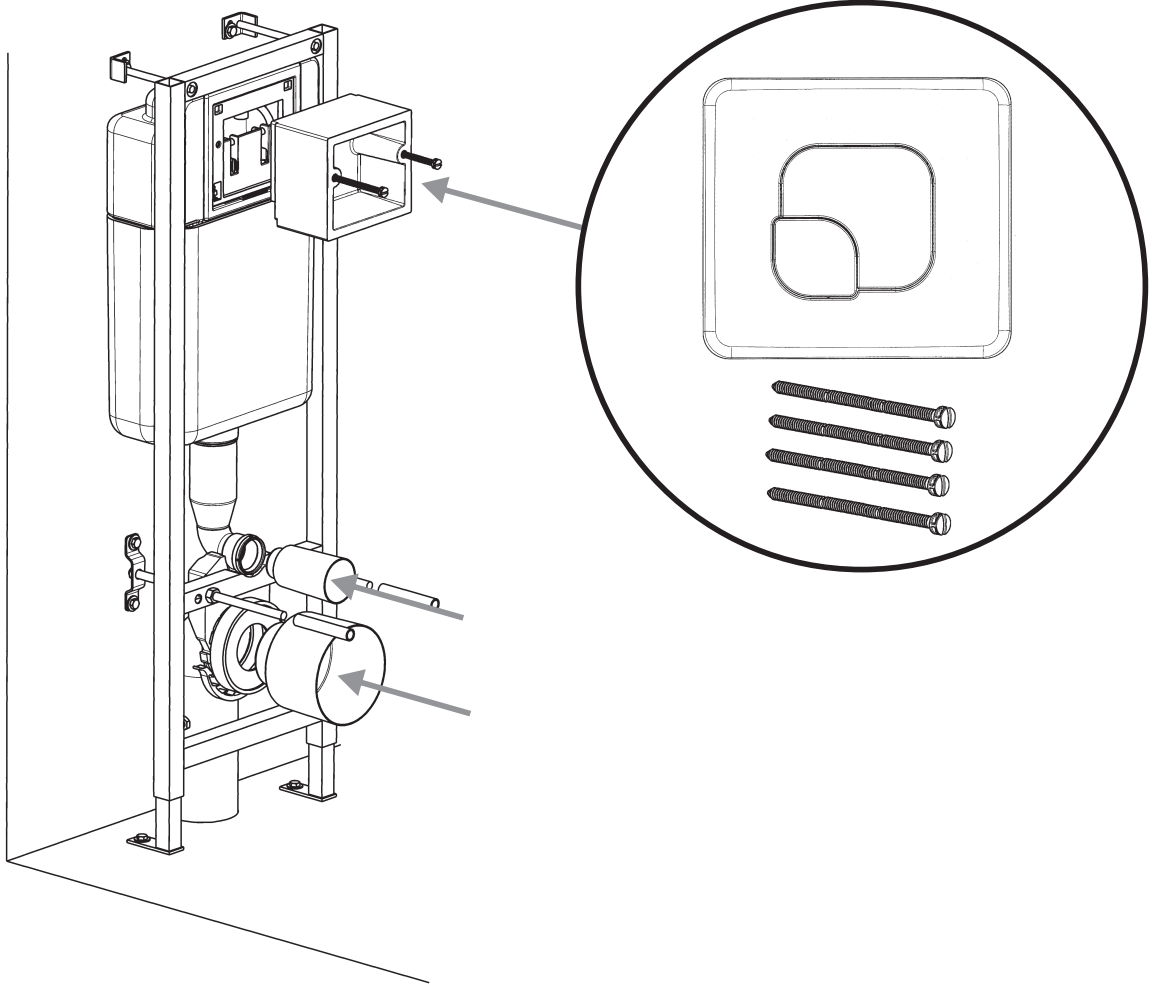
16



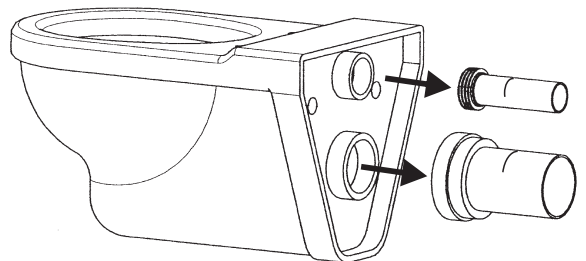
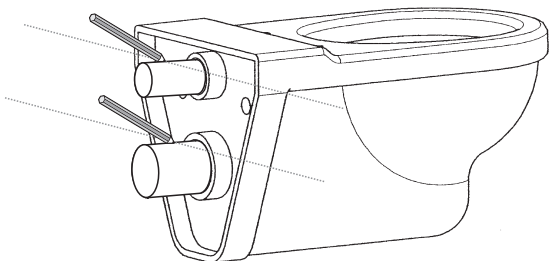
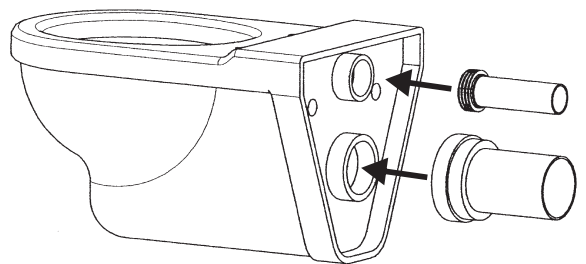
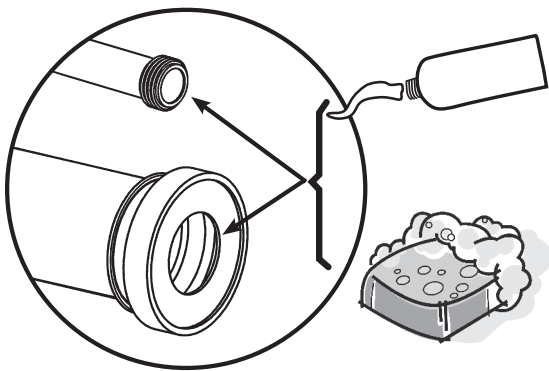
17



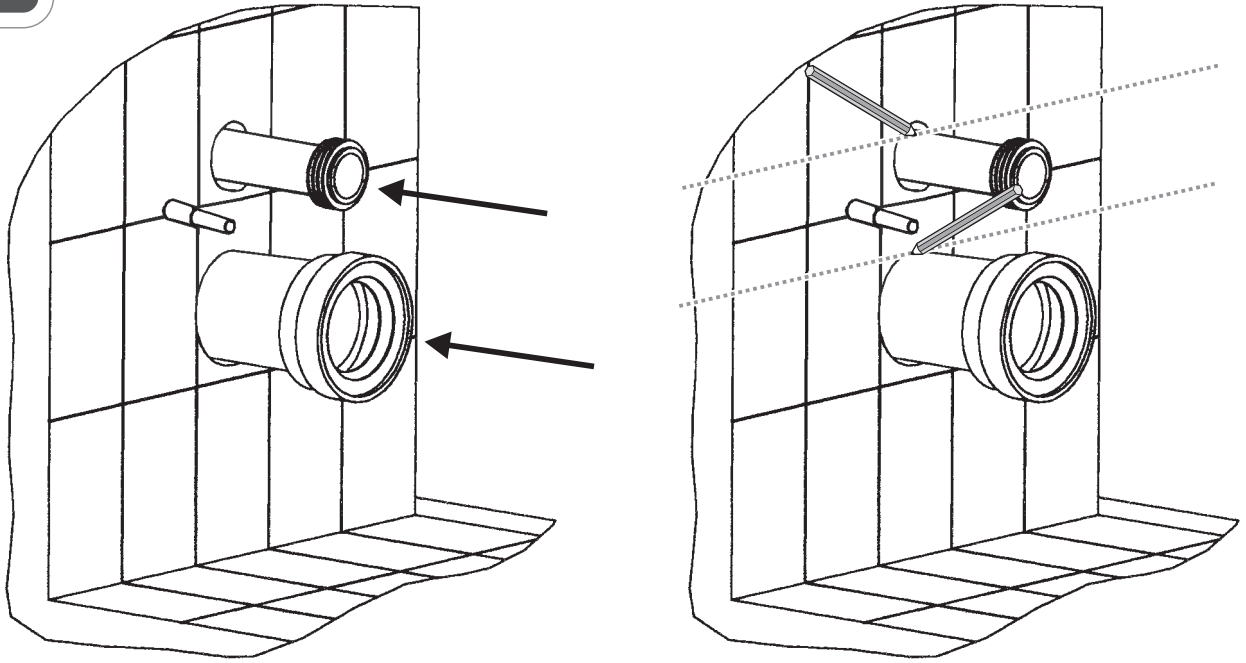
18



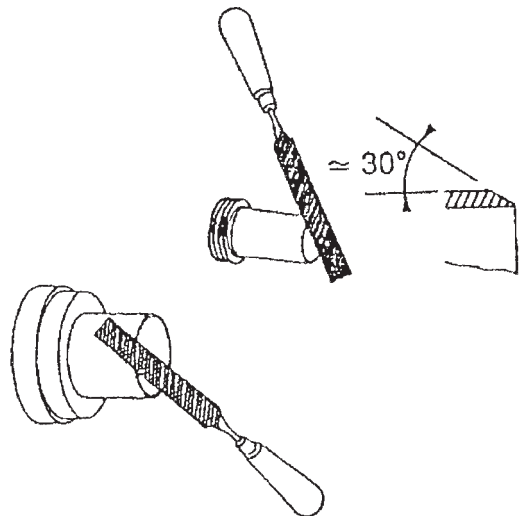
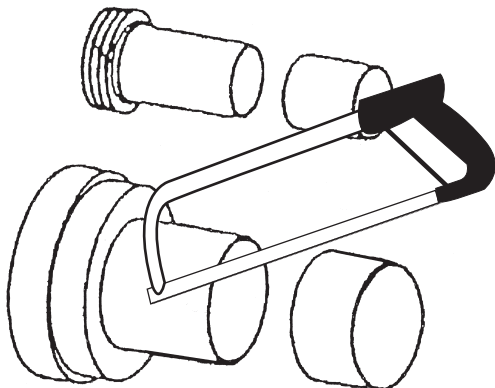
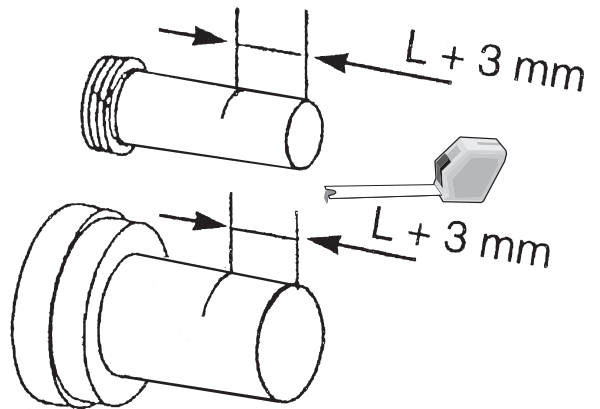
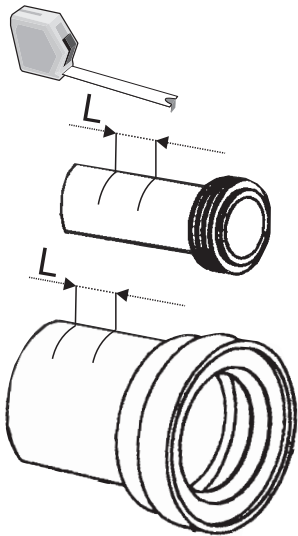
19



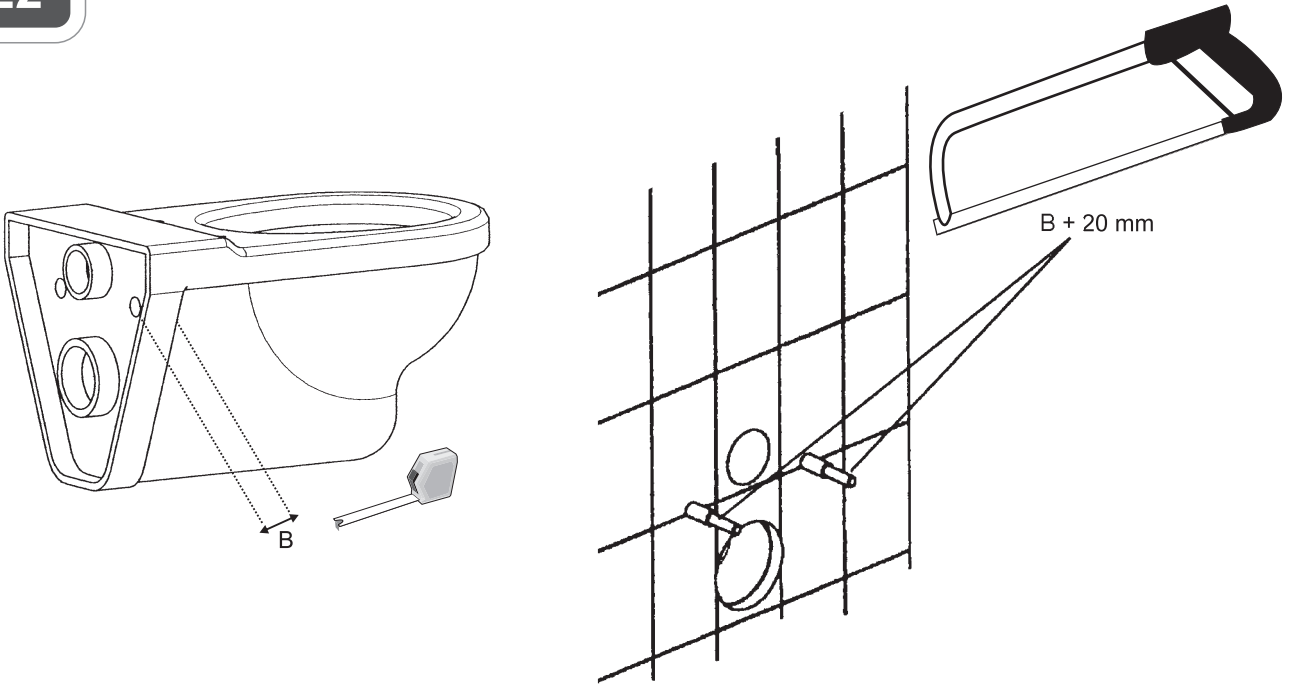
20



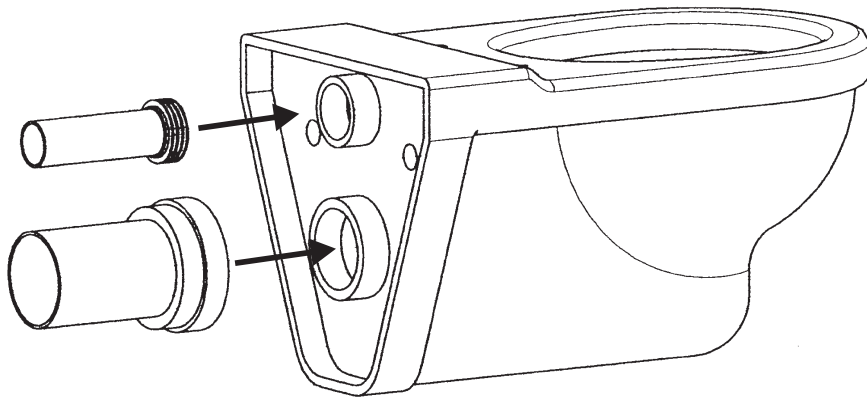
21



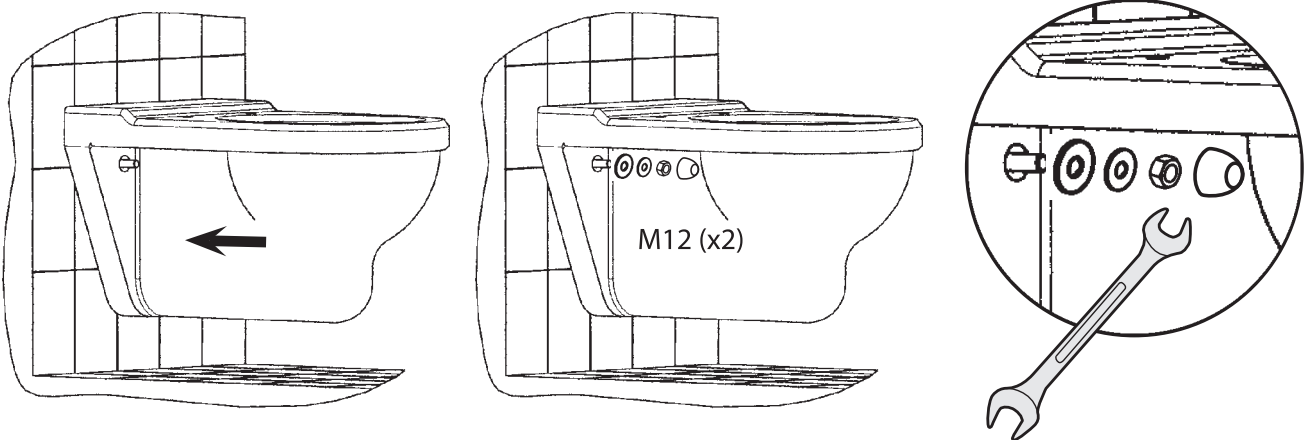
22

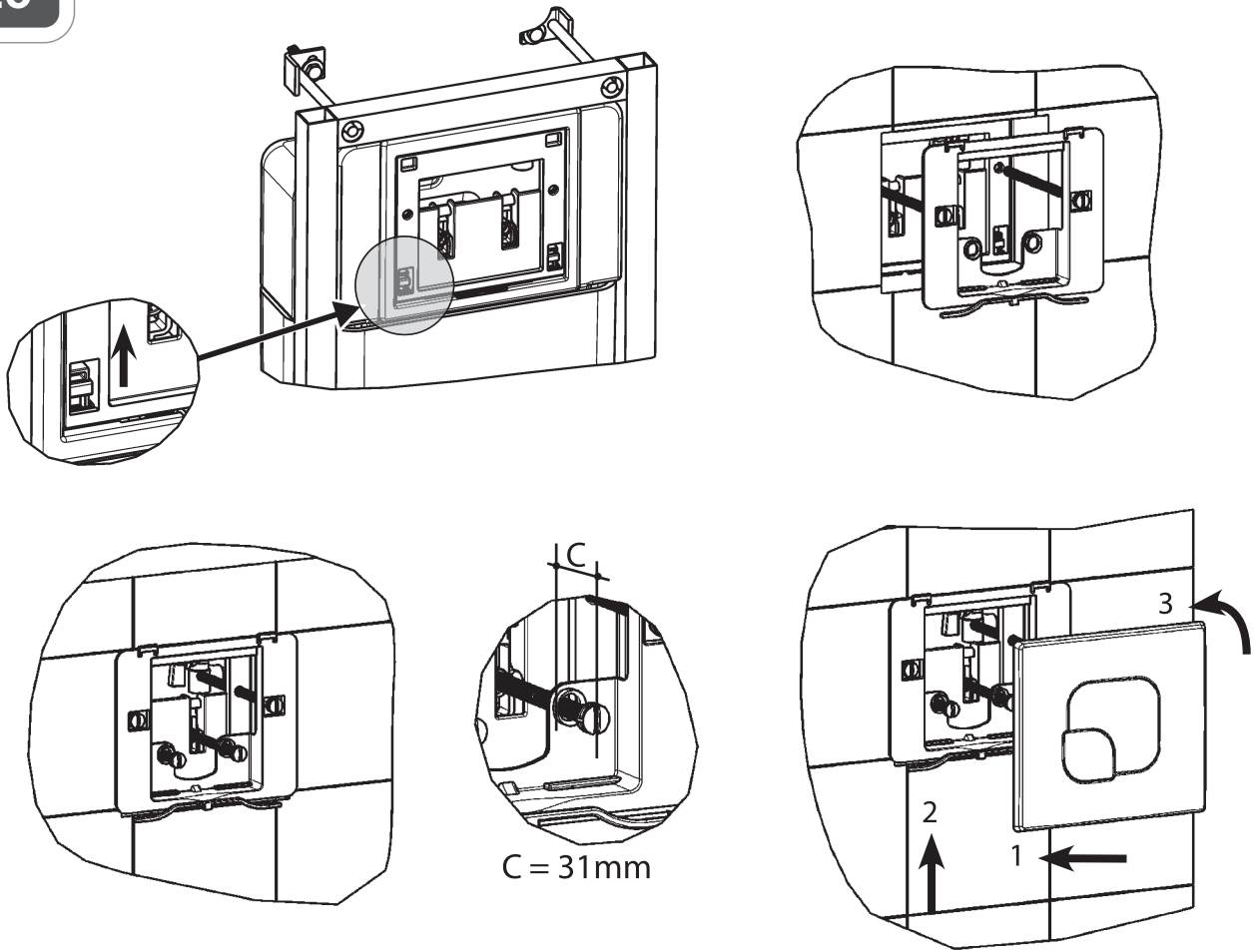


23



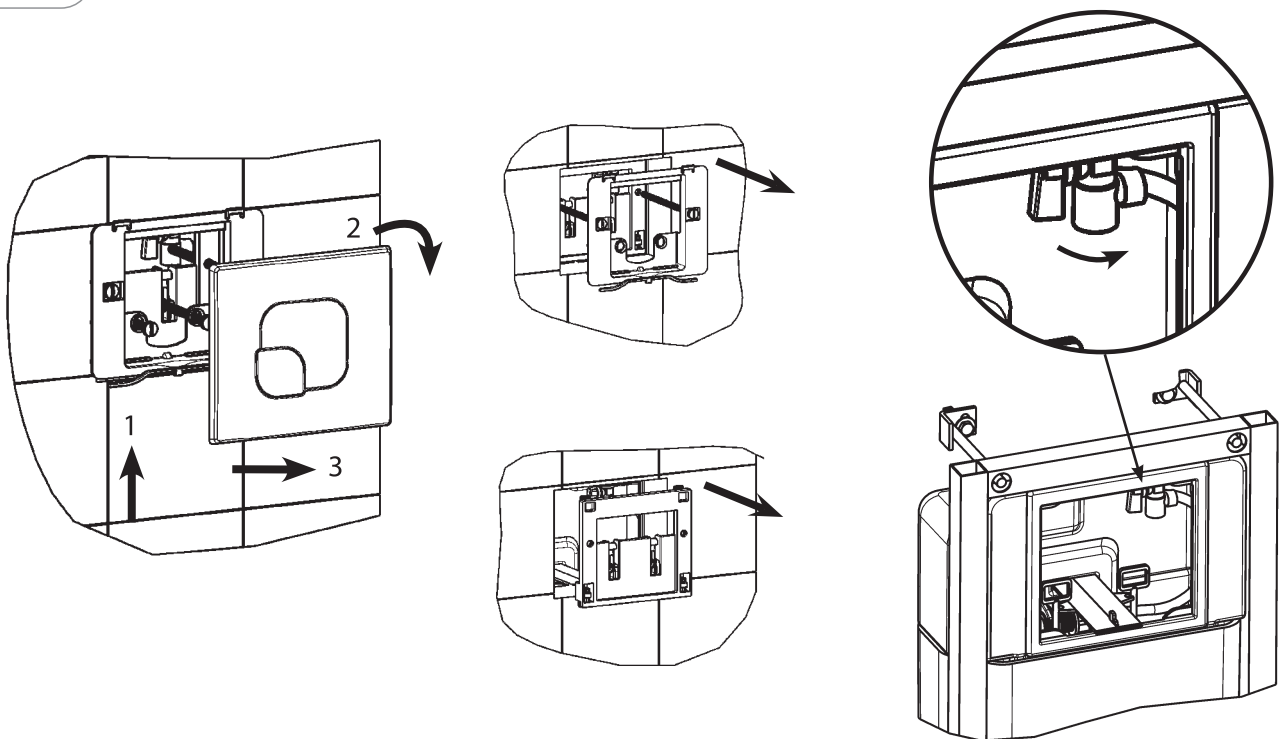
24





S

SERVICE



S**SERVICE**