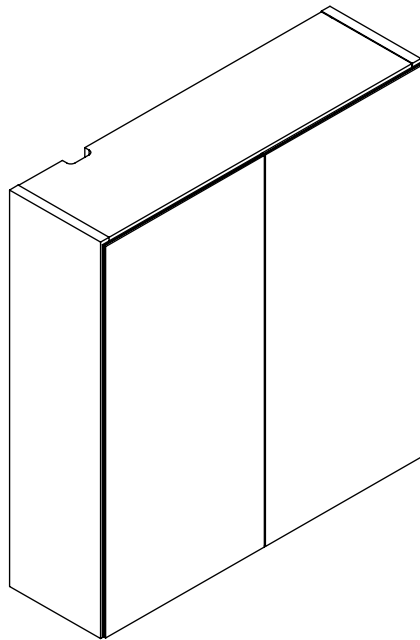
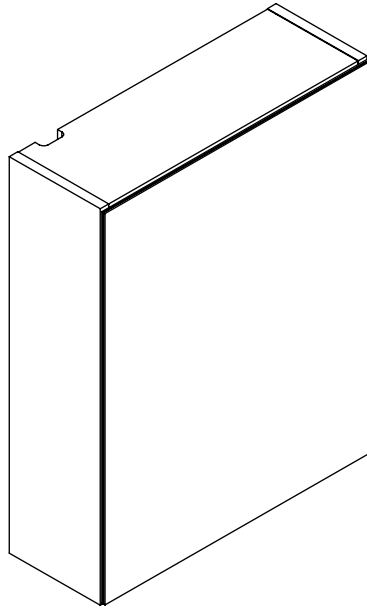
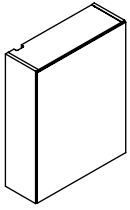




**DANSANI**  
BATHROOM DESIGN





6x  
5-500



2x  
390010190



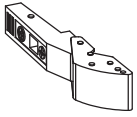
6x  
5,0-60SU



6x  
390010067



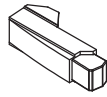
8x  
415532



2x  
190040240



2x  
3,5-20SU



1x  
190040631



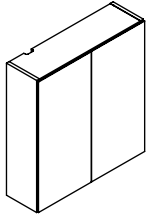
1x  
190040632



1x  
390010110



1x  
19500000



6x  
5-500



2x  
390010190



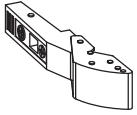
6x  
5,0-60SU



6x  
390010067



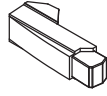
8x  
415532



4x  
190040240



4x  
3,5-20SU



2x  
190040631



2x  
190040632






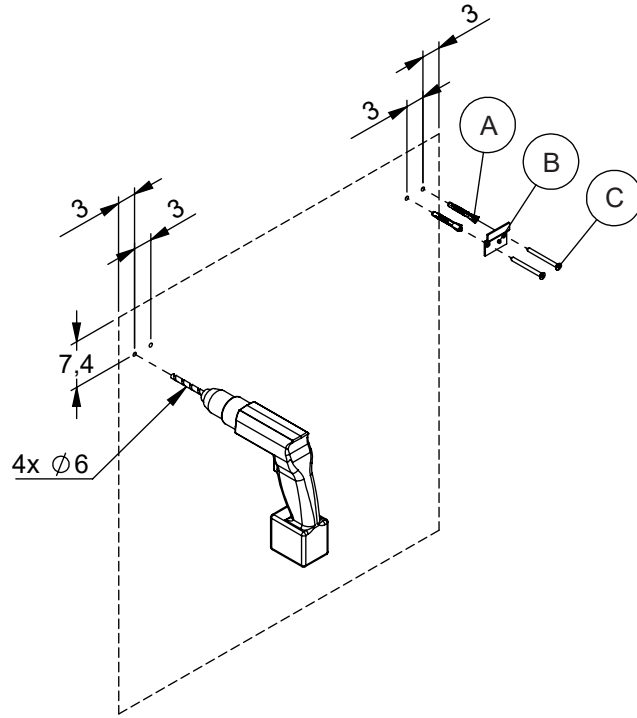
2x  
390010110



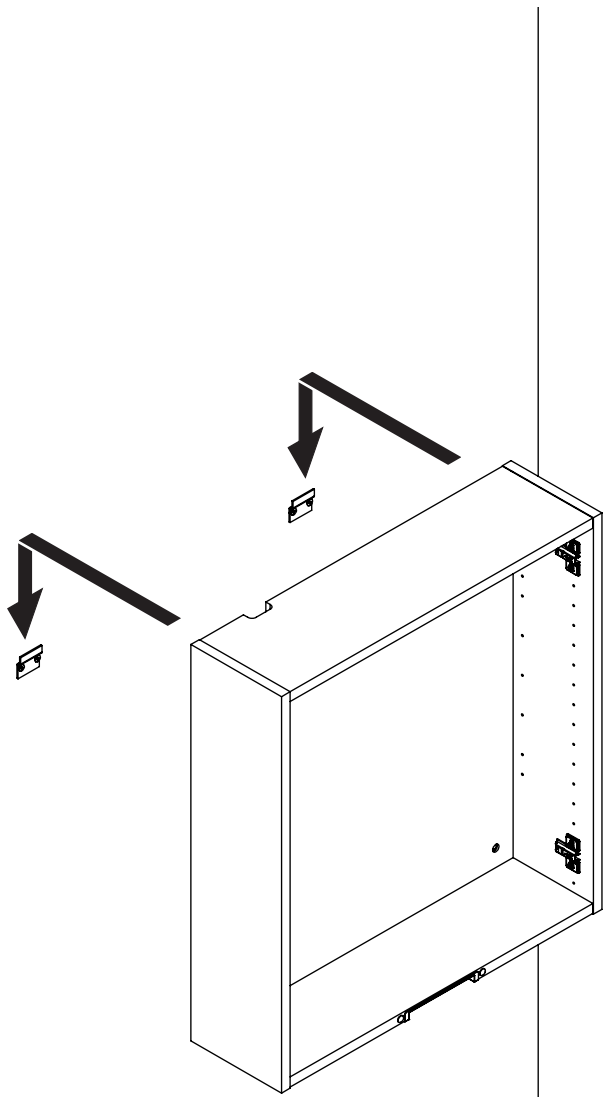
2x  
19500000

# 1

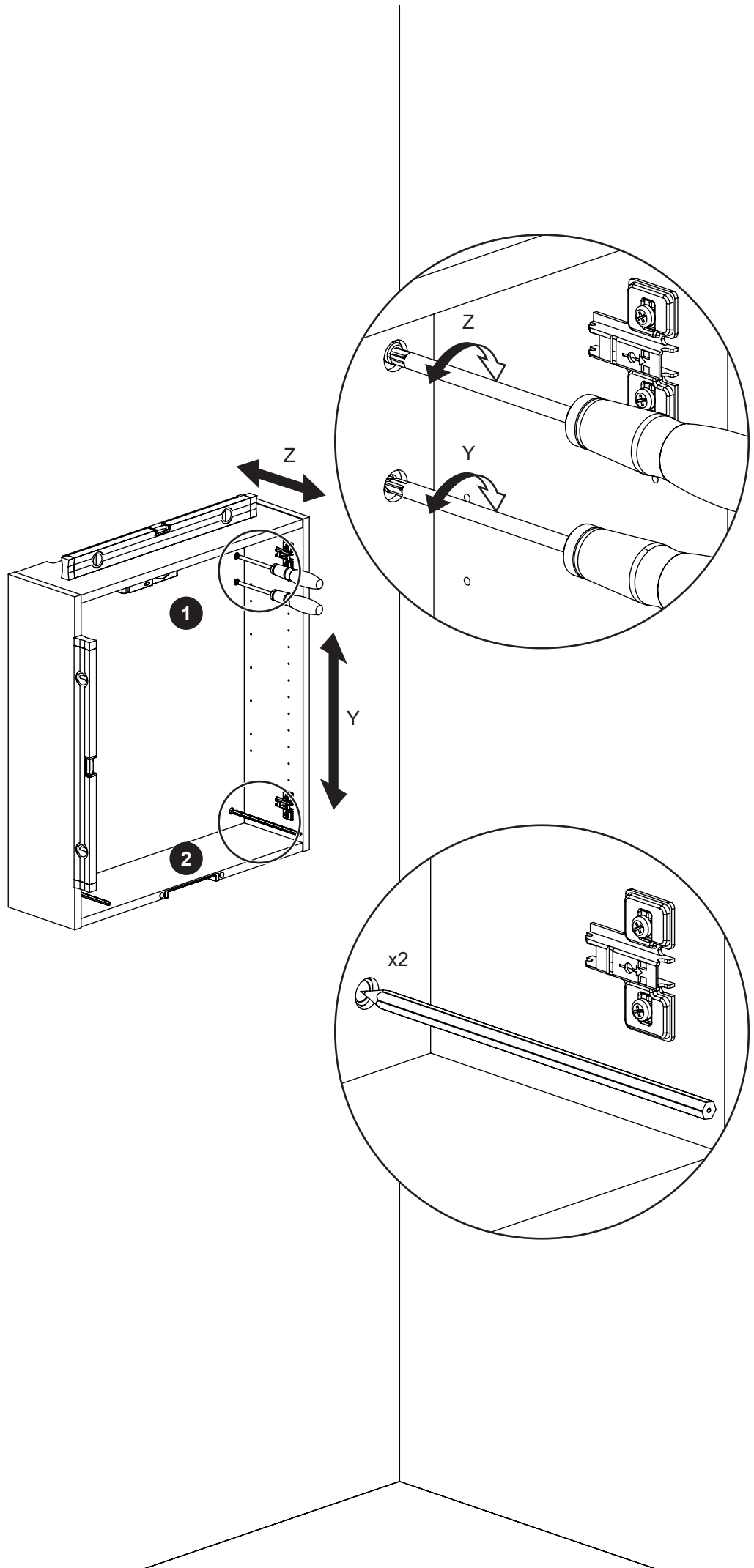
		
4x 5-500	2x 390010190	4x 5,0-60SU



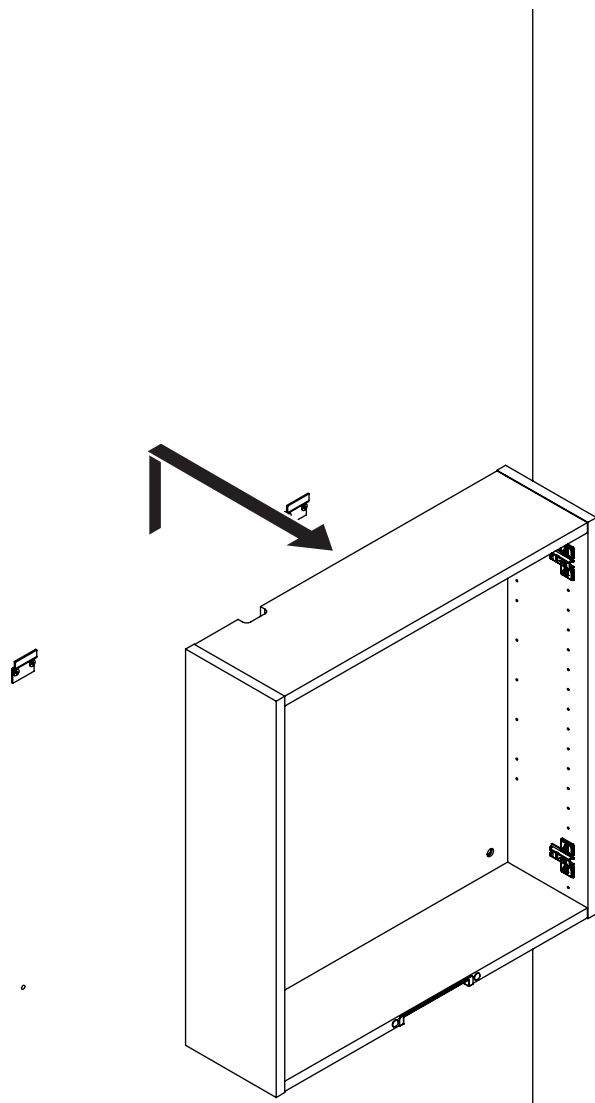
2



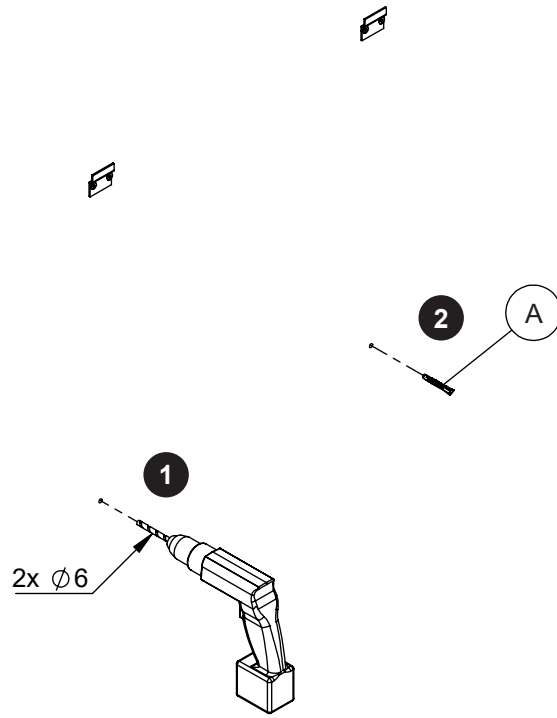
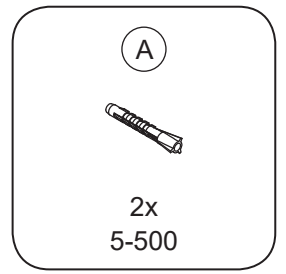
# 3



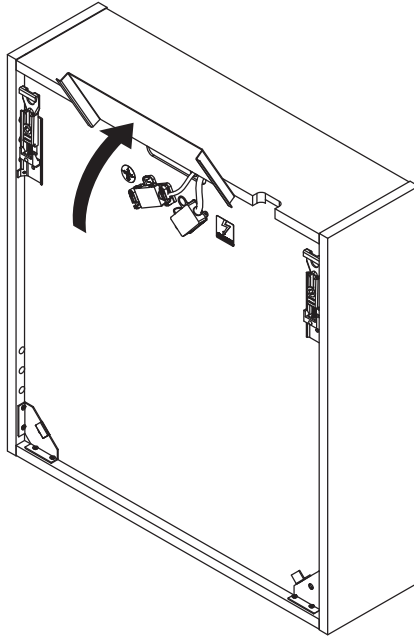
4



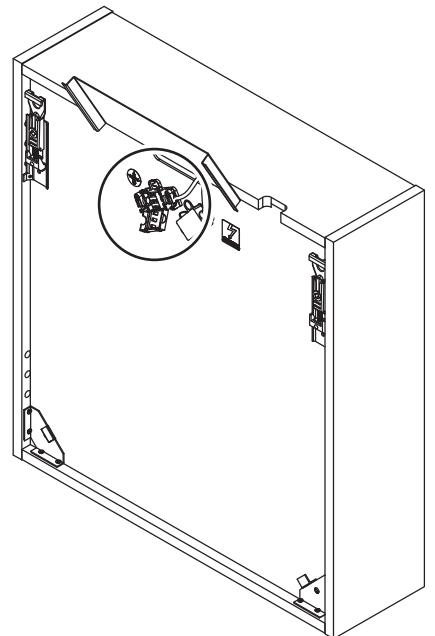
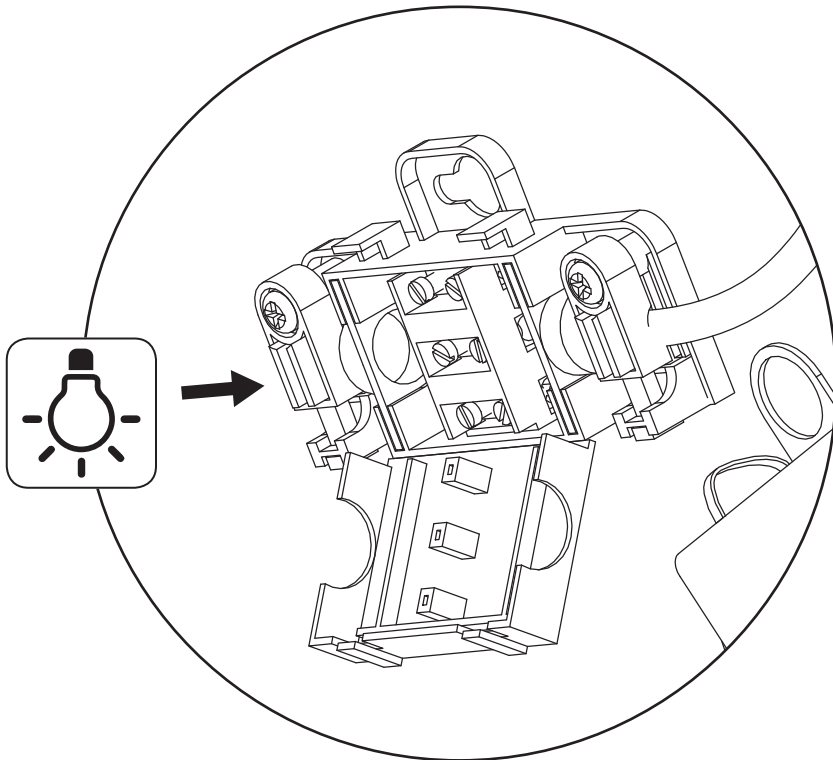
# 5



# 6

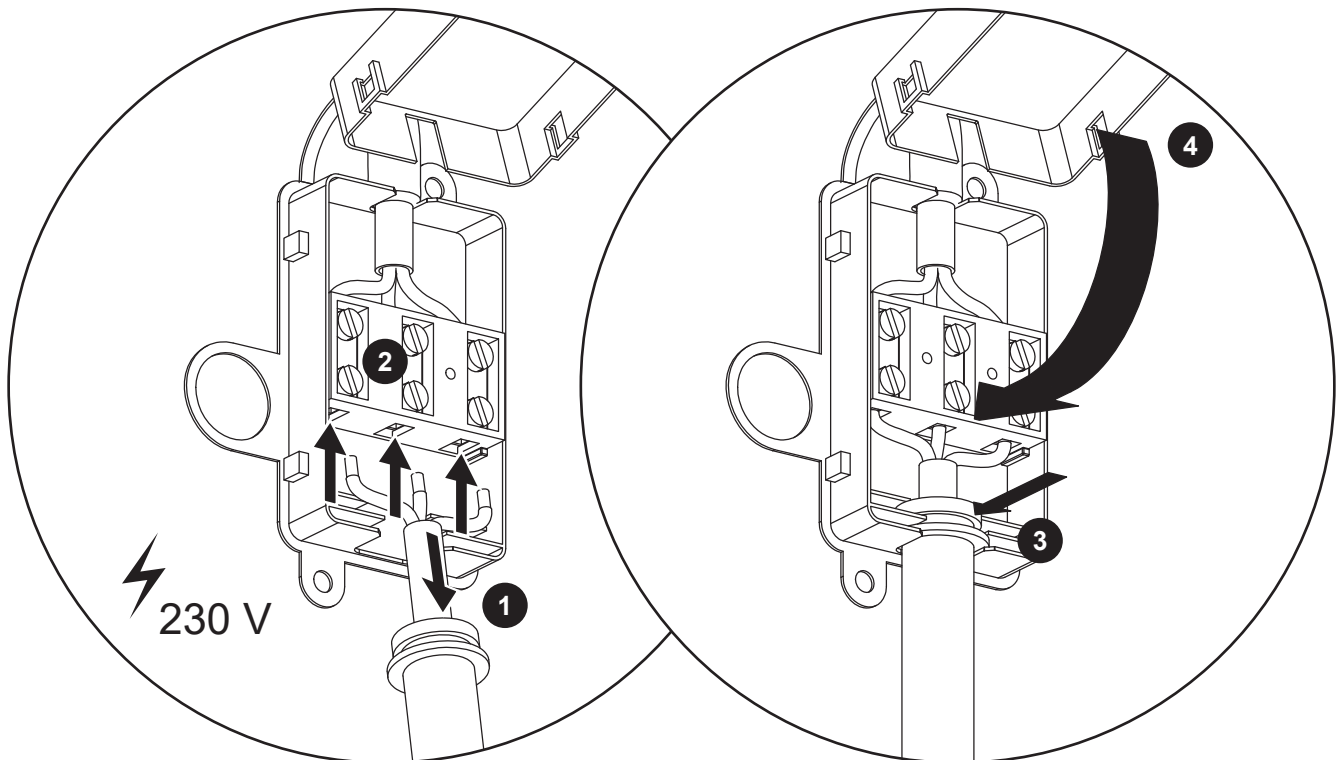
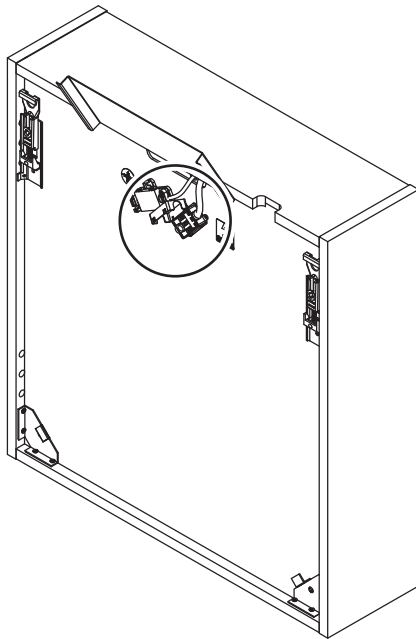


# 7A

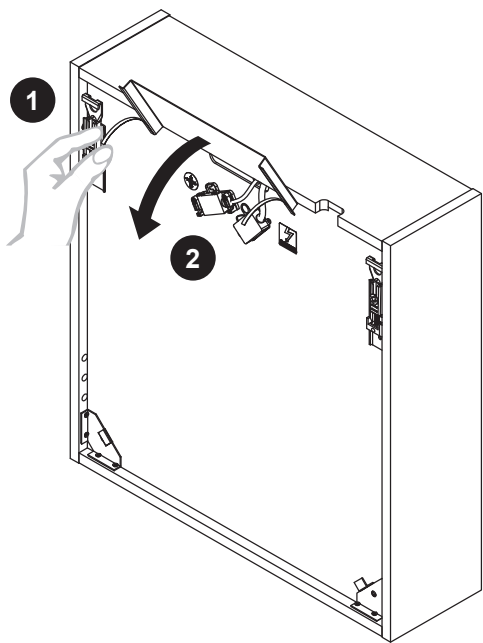




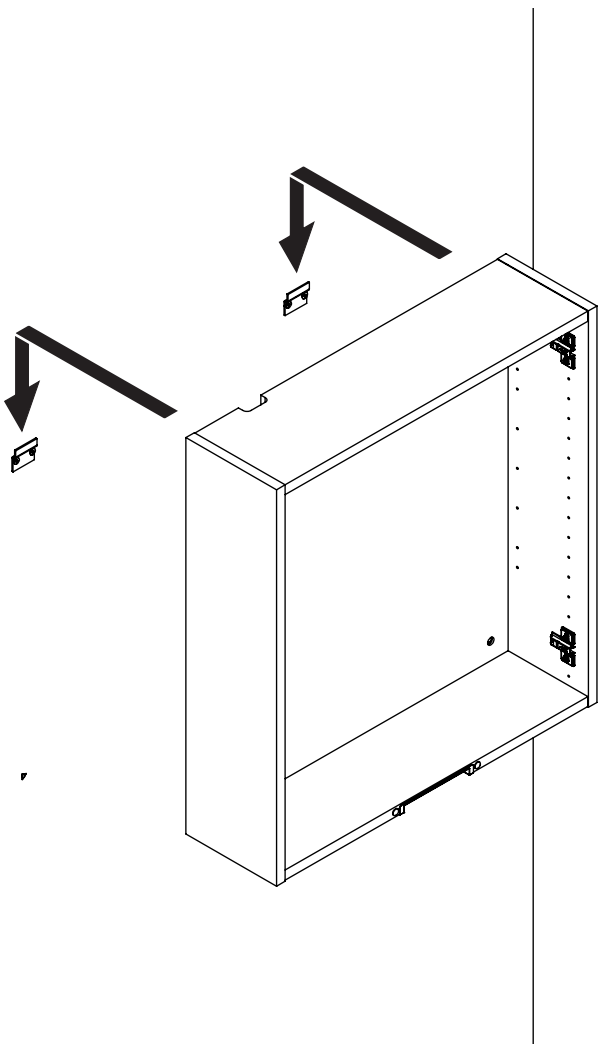
# 7B







8

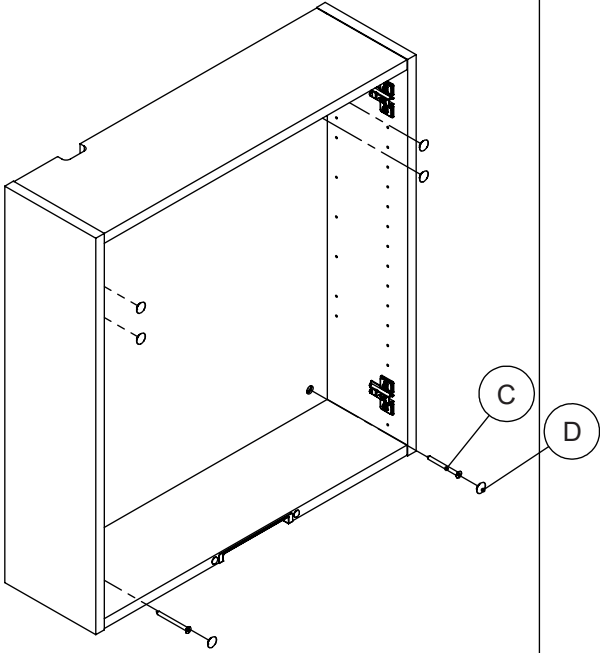


9




# 10

	
	
2x 5,0-60SU	6x 390010067

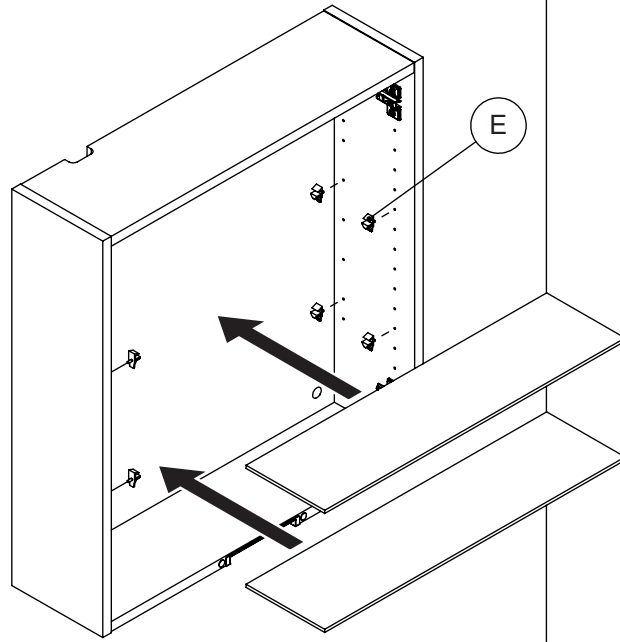


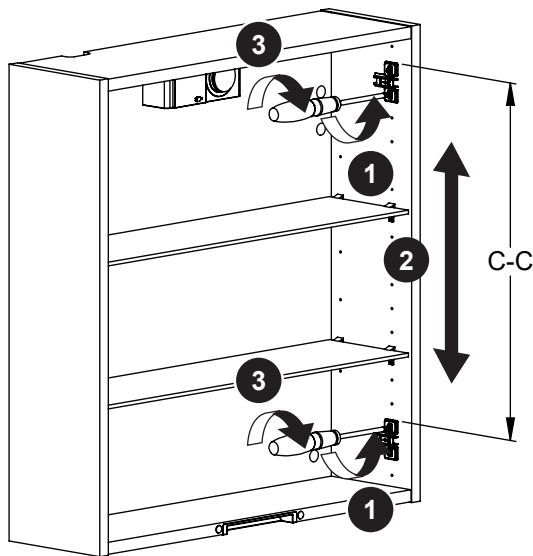
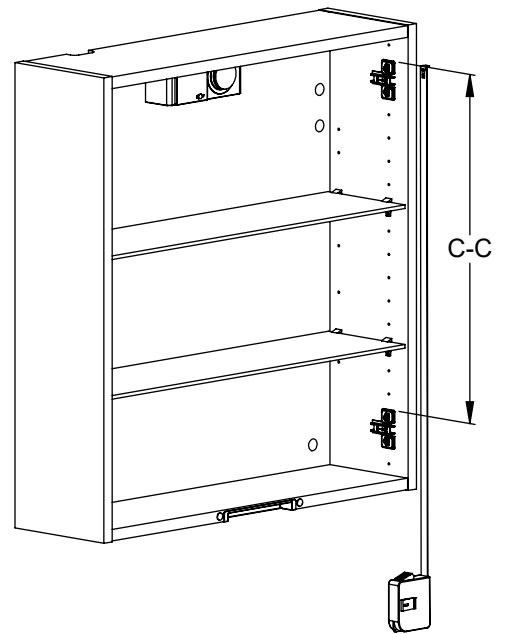
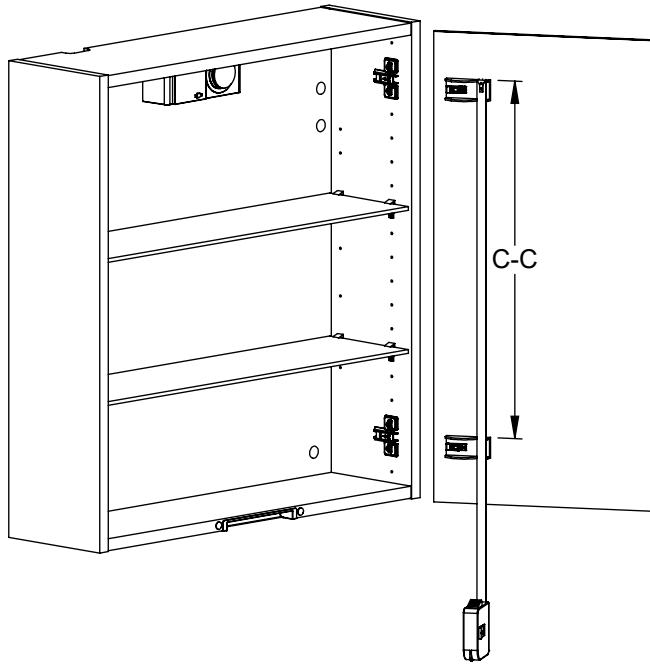
# 11

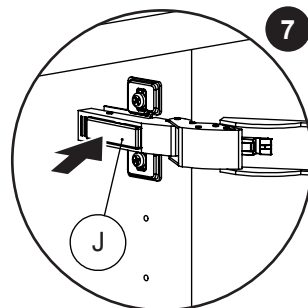
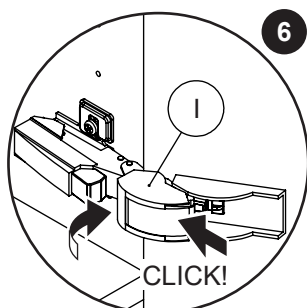
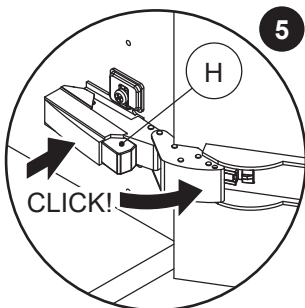
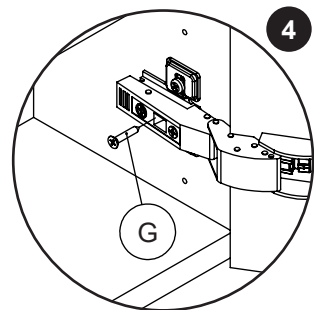
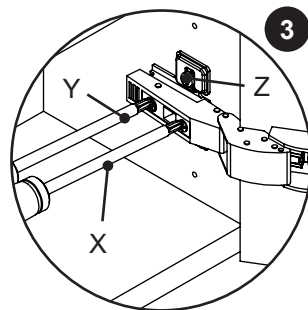
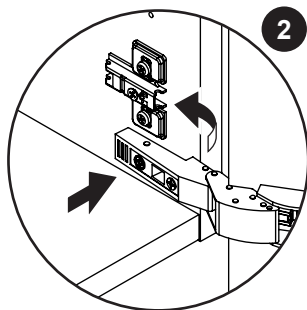
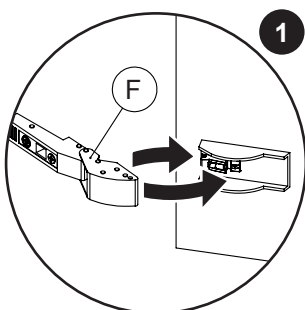
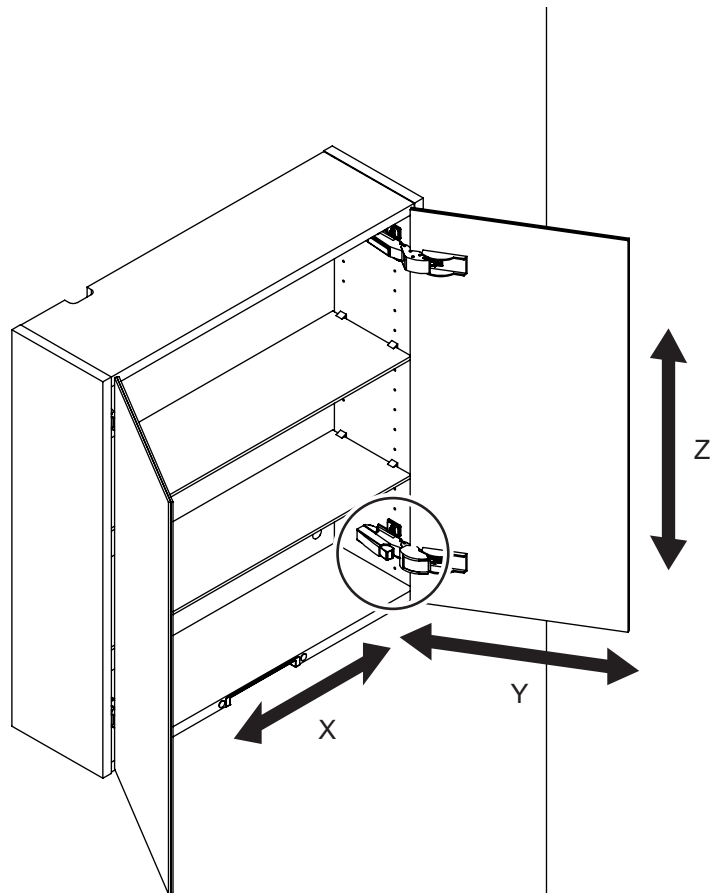
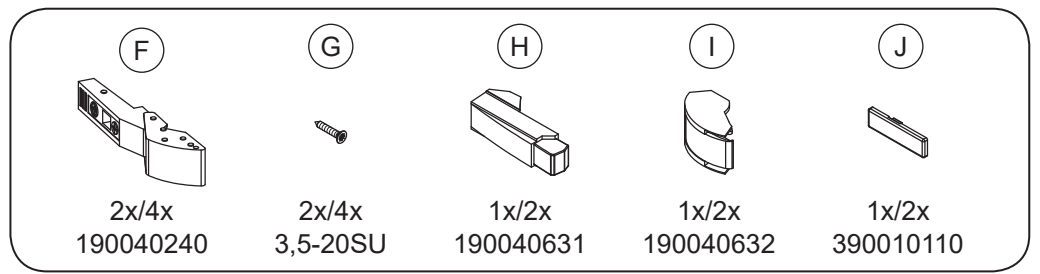
ⓔ



8x  
415532







(K)  
o  
1x/2x  
1950000

