

ADAPTABLE WASTE PUMP FOR TOILET

MACERATOR PUMP

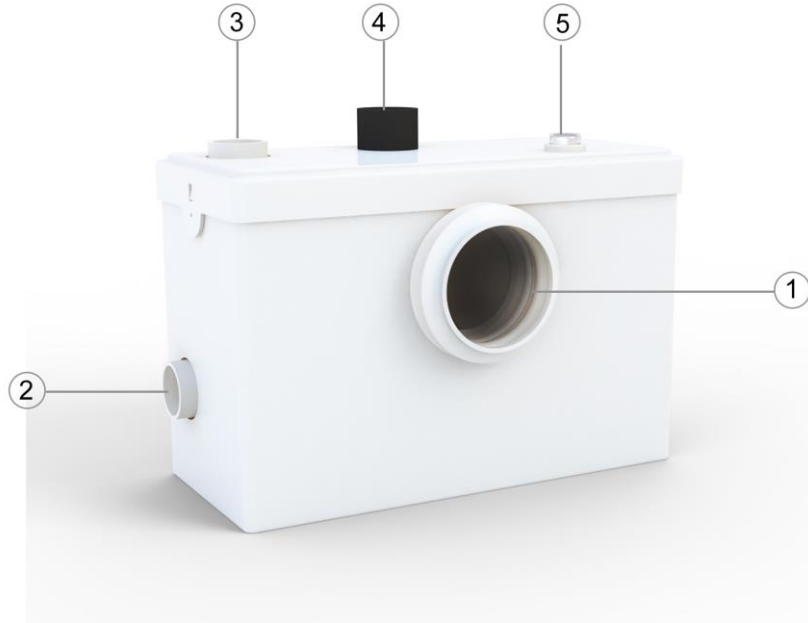
Installation and Use Instructions



CE

H 100-v2

Power:	600W	Voltage:	220~240V /50Hz
Horizontal discharge:	100M	Vertical discharge:	10M
Max. temperature:	90°C	Thermal protection:	125°C
Max. flow rate:	240L/Min	IP rate:	IPX4



① Inlet For Toilet ϕ 100mm	② Inlet ϕ 40mm
③ Inlet ϕ 40mm	④ Outlet ϕ 40mm
⑤ Manual Switch	

Fig1: Size

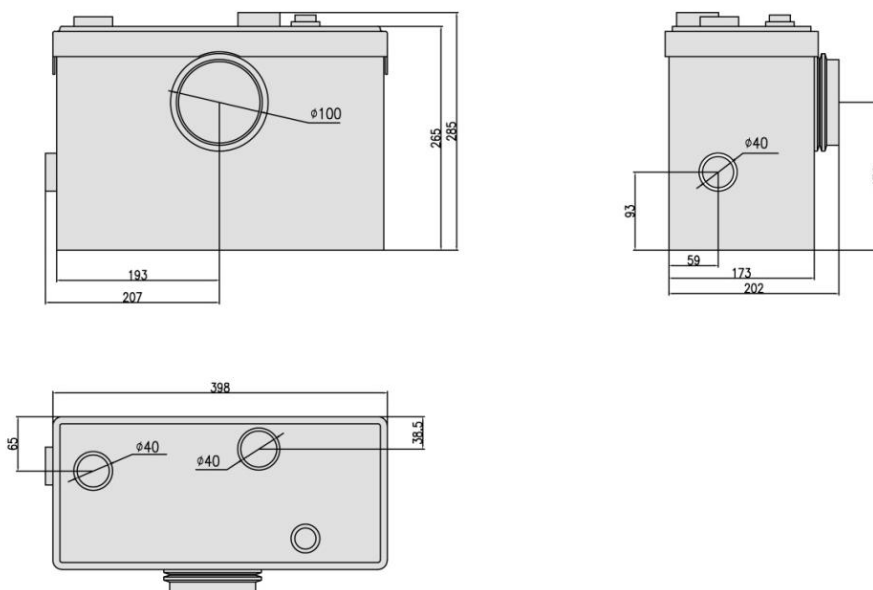


Fig2: Part list

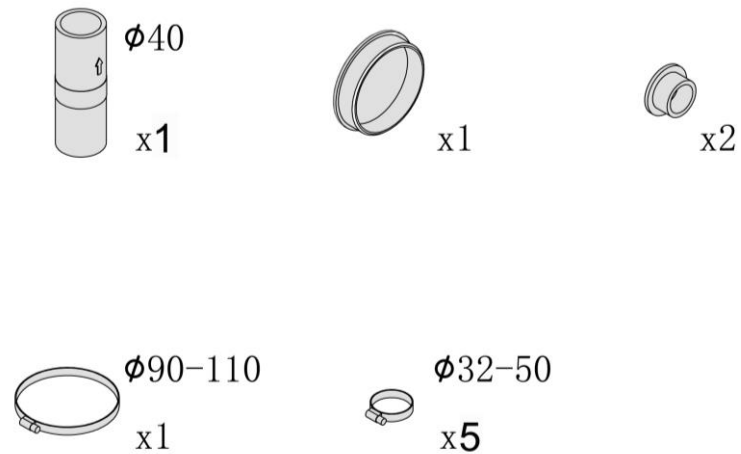


Fig3: Installation recommendation

1. Check valve must be installed before operation
2. Additional manual check valve is recommended to be installed for convenience of maintenance
3. The intake of drain pipe must be positioned at least 22cm from the ground when connecting the side inlet
4. Filter screen is recommended to be installed in the drain of shower room and lavatory

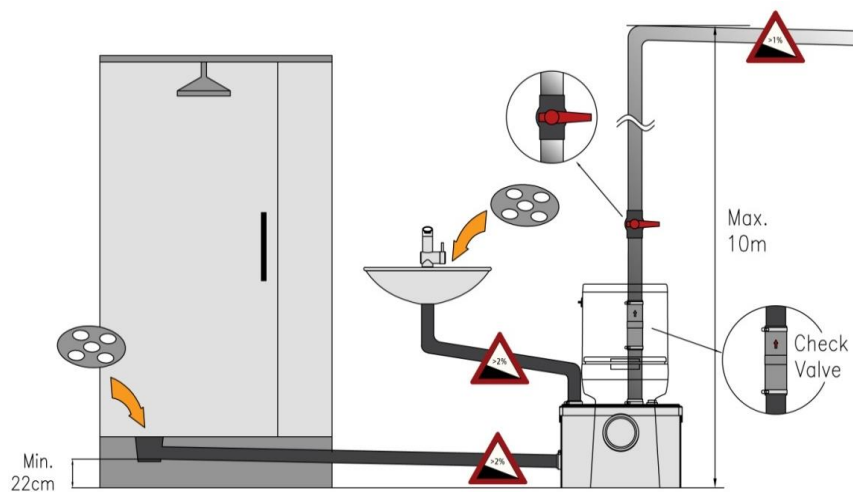


Fig4: Connection

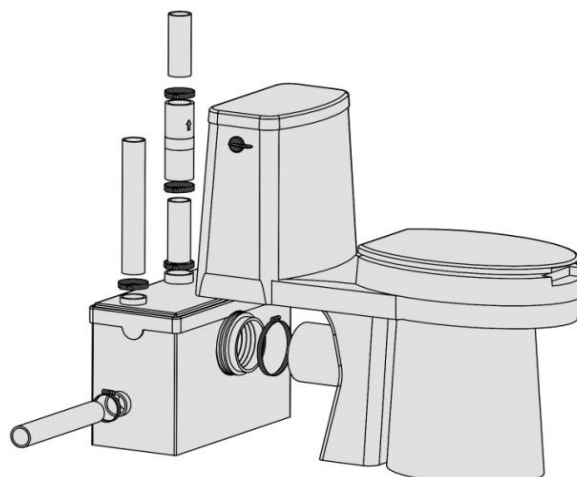


Fig5: Pumping head

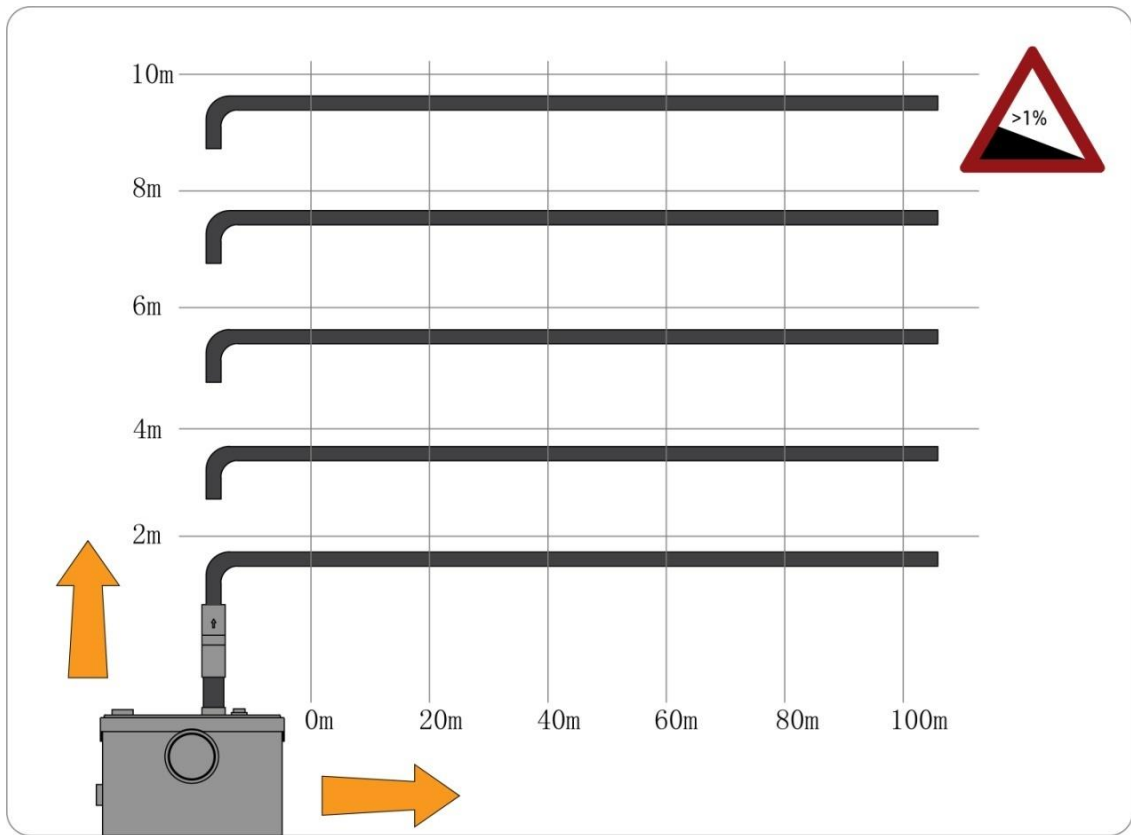


Fig6: Flow Rate

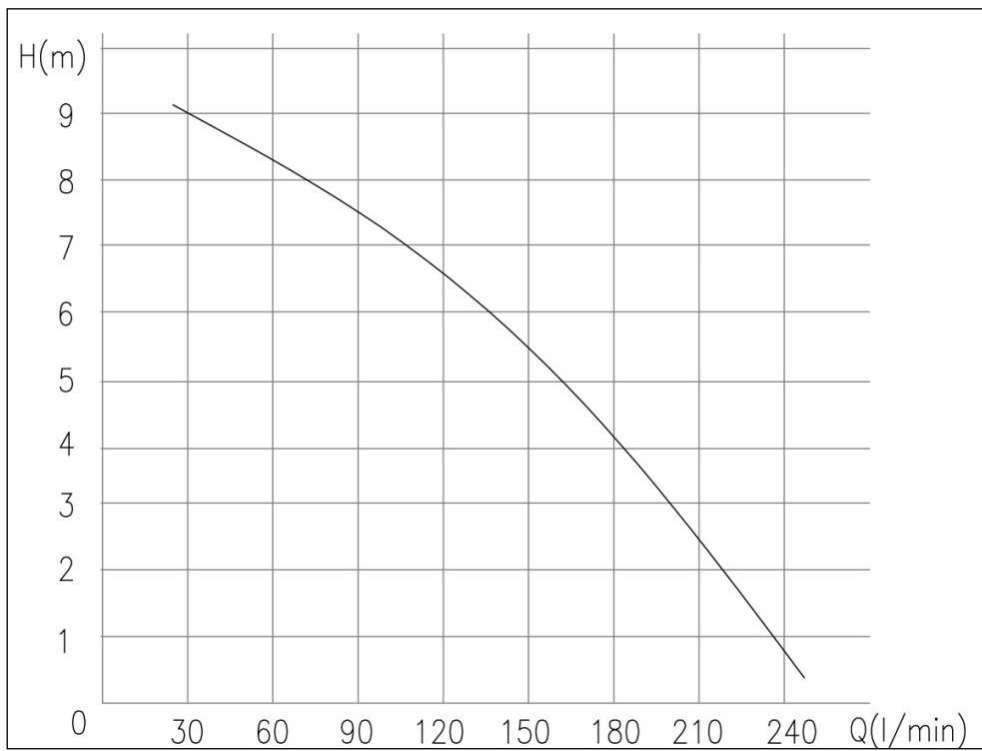


Fig7: The minimum distance between the wall and toilet is 185mm

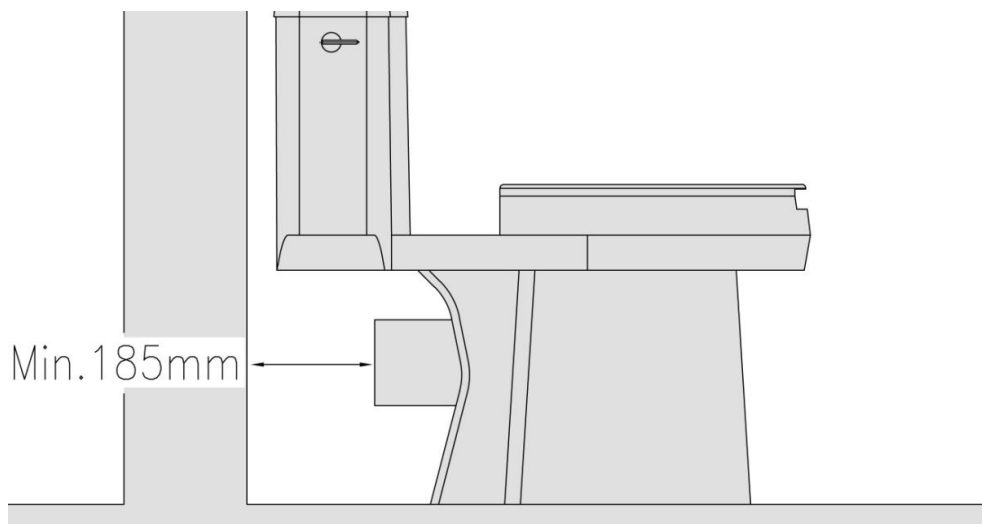


Fig8: Discharge Pipe connect to main sewage pipe

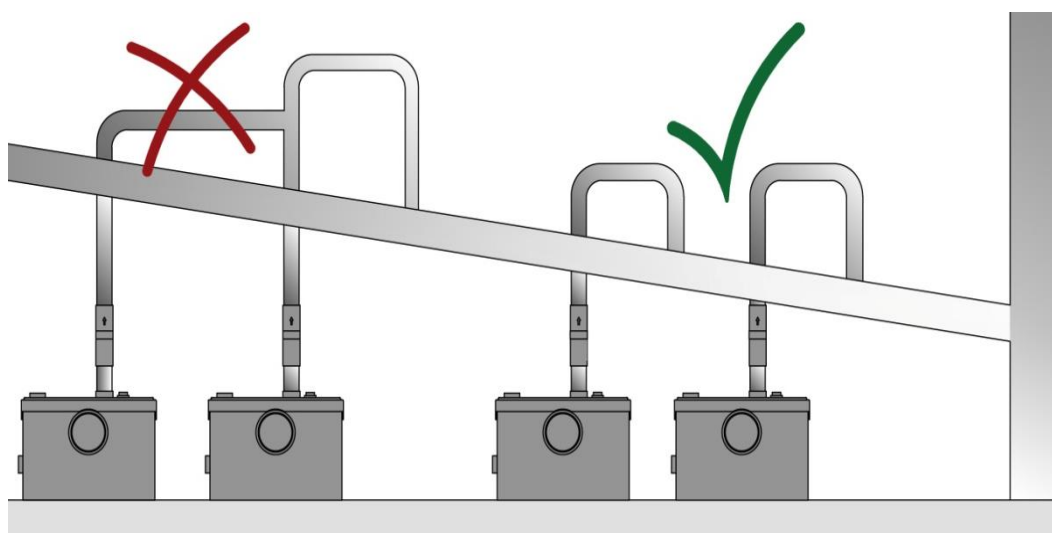


Fig9: Elbow angle

It is recommended to use two 45° elbows instead of a single 90° elbow

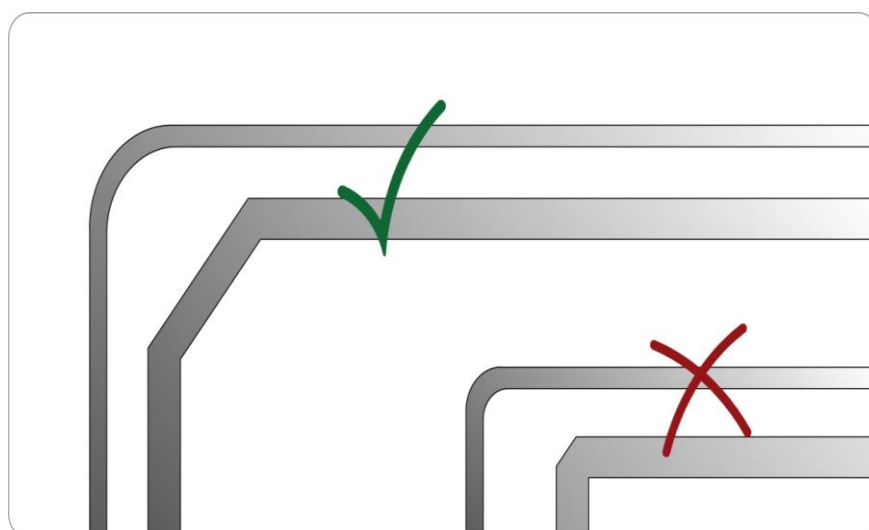
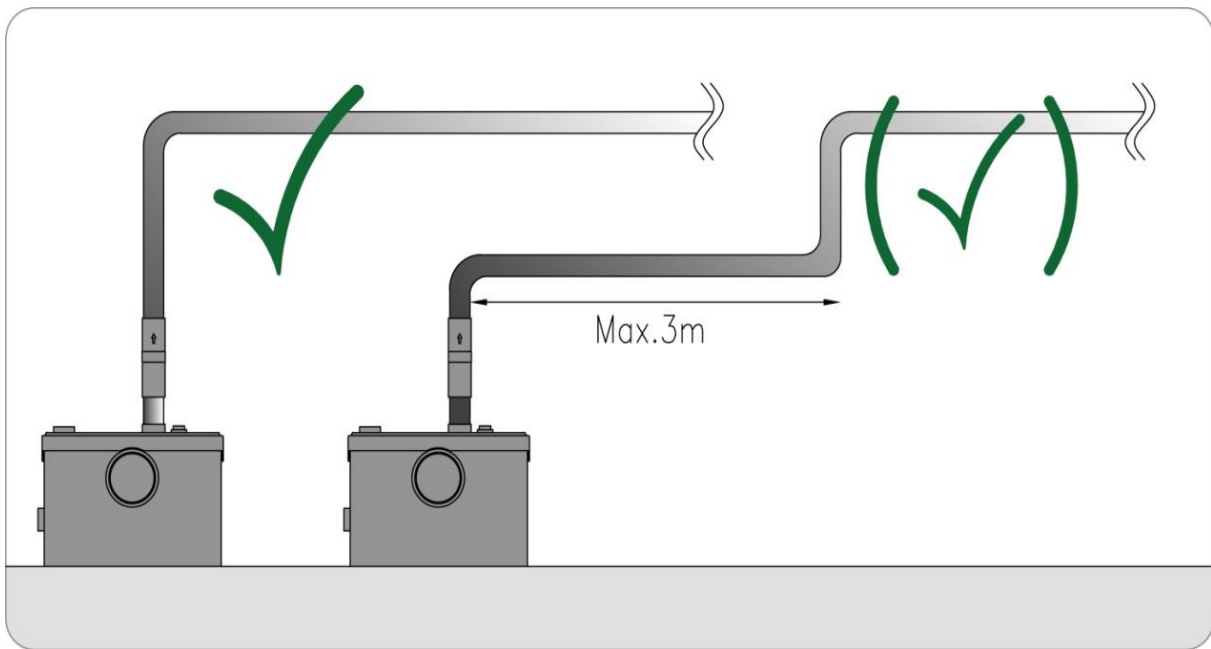


Fig10: Discharge pipe connection



Warning

- The appliance is ready to use only after complete installation.
- The appliance must be supplied through a residual-current device (RCD), with a rated residual operating current of 30mA or less.
- If the power cable is damaged, it must be replaced exclusively by the manufacture or its service agent or an authorized personnel to avoid any danger.
- This appliance can be used by children aged from 8 years and above and persons with reduced physical, sensory or mental capabilities; if they have been given supervision or instruction ensuring the safe use of the appliance and the understanding of the dangers involved. Children shall not play with the appliance. Cleaning and user maintenance shall not be made by children without supervision.
- Children should be supervised to ensure that they do not play with the appliance.
- This appliance is for a domestic use only

OPERATING PRINCIPLE

The Waste Pump for toilet comprises a tank that receives the discharged waste and an electric pump automatically controlled by a pressure switch.

The discharge action is triggered when the flushing system is actuated, like a conventional toilet.

SAFETY INSTRUCTION

Before use, it must be ensured that the appliance is earthed reliably to a socket-outlet.

If the power cable is damaged, it must be replaced exclusively by the manufacture or its service agent or an authorized personnel to avoid any danger.

The appliance is not intended for use by young children or infirm persons without supervision.

Young children should be supervised to ensure that they do not play with the appliance.

The instructions concerning persons (including children) with reduced physical, sensory or mental capabilities, or lack of experience and knowledge and children playing with the appliance is not applicable. Children should be supervised to ensure that they do not play with the appliance.

UTILIZATION

In order to ensure long-term total satisfaction with your appliance, only toilet waste, water and paper should be discharged using the waste pump for toilet. Discharge of any other materials than those mentioned will invalidate the warranty.

ADAPTABLE MAINTENANCE

Our appliances are designed to discharge toilet waste and toilet paper only. Some small items may however pass through the pump. Larger items can block the pump. This is the main cause of breakdown recorded by our customer support department.

PROBLEM	CAUSE	SOLUTION
Is not powerful enough or too slow to discharge the waste	Discharge pipes too long or too high	Recalibrate the pipes
	Discharge pipe diameter too small	Recalibrate the pipes
	Partial blockage	Actuate the pump with the manual override switch. If the problem persists, the pump must be blocked. Check the pump
Emits a humming noise but does not discharge the waste	Pump blocked	Check the pump
	Check valve installed the wrong way	Reinstall the right way
Start running and discharging accidentally	Check valve defect	Check the valve
	Leak in the flushing tank that causes water to flow into the waste pump for toilet and sets it running intermittently	Repair the leak

Runs continually	Vertical discharge without check valve	Install the check valve
	Check valve defect	Check the valve
No humming noise	Pressure switch defect	Check the pressure switch
	Electrical connection defect	Check the connection
	Pressure switch motor	Press the manual override switch several times, if the appliance starts running check the electrical connection of the pressure switch and the pressure switch line (see method) Pressing the manual override switch has no effect. Check the motor.

Detailed error descriptions and solutions

Loud noises, malfunction of the engine, water is not discharged

These are the symptoms of a blocked lifting system. If the system is clogged with toilet paper, it is sufficient in most cases to carefully rinse the system backwards with water. The output of the lifting system just need a little water pressure, e.g. the residues are flushed out of the pump body back to the lifting unit with a garden hose. Please make sure that no water pressure comes on the collection of the lifting system. Otherwise, the pressure switch of the lifting unit could be damaged and the automatic on/off button could not work properly anymore.

In case the pump body is obstructed with stronger solid bodies, it may be necessary to open the pump and remove manually the solids.

Due to strong shocks through the solids in the pumping system, it may even happen that the motor bearings damaged. This defect usually occurs after removing or flushing large solids: after start, the engine stays blocked and only hums. In this case, the motor of the lifting unit must be opened and the bearing must be replaced. The lifting unit can then be rotated by hand.

Flushing the lifting equipment do not require technical knowledge. Opening for cleaning should be left to a qualified technician. In this case, you can contact us. We will then prompt you to clean the lifting plant thoroughly and send it to our workshop.

Pump system does not pump out and is in the jog mode

This problem occurs with macerators (toilet pump systems), which were shut down (no electrical power) but still supplied water; pressurized wastewater from a dishwasher or washing machine, or it had more intake water than the pump could convey. As a result, the pump system was "overfilled".

It can happen, that water penetrates in the pressure switch of the macerator and its proper functioning is impaired. The toilet pump system either runs permanently or does not turn on automatically. This problem can be quickly solved and does not affect the warranty.

You should proceed as follow:

1. Disconnect the macerator from the mains voltage (pull out the plug).
2. Release the two screws (narrow sides) from the cover lid and remove the cover.
3. Empty the small transparent hose which connects the big "tank" to the small black "control box". Dry up the pressure switch in the small black box. (put it on the heating system or under the sun.)
4. After it had dried up, assembly the unit again in the reverse order.
5. Put the macerator into operation.

If you continue to experience difficulties, our technical service can provide any assistance. However, this case of malfunction does not fall under manufacturer's warranty and the work and transportation costs will be borne by the customer.

PRESSURE SWITCH INSPECTION

Plug the pressure tap chamber located in the rubber tank, press it down to create pressure. A clicking sound indicates that the motor has switched on. If there is no clicking sound, check that the air chamber of the pressure switch pipe nozzle does not leak.

If the appliance has switched on, the motor should start running.

Before performing this operation, check that the opening or inside of the pressure tap chamber are not blocked.

Disposal



This symbol indicates that this product should not be disposed with other household wastes throughout the EU. To prevent possible harm to the environment or human health from uncontrolled waste disposal, recycle it responsibly to promote the sustainable reuse of material resources. To return your used device, please use the return and collection systems or contact the retailer from whom the product was purchased. They can take this product for environmental safe recycling.