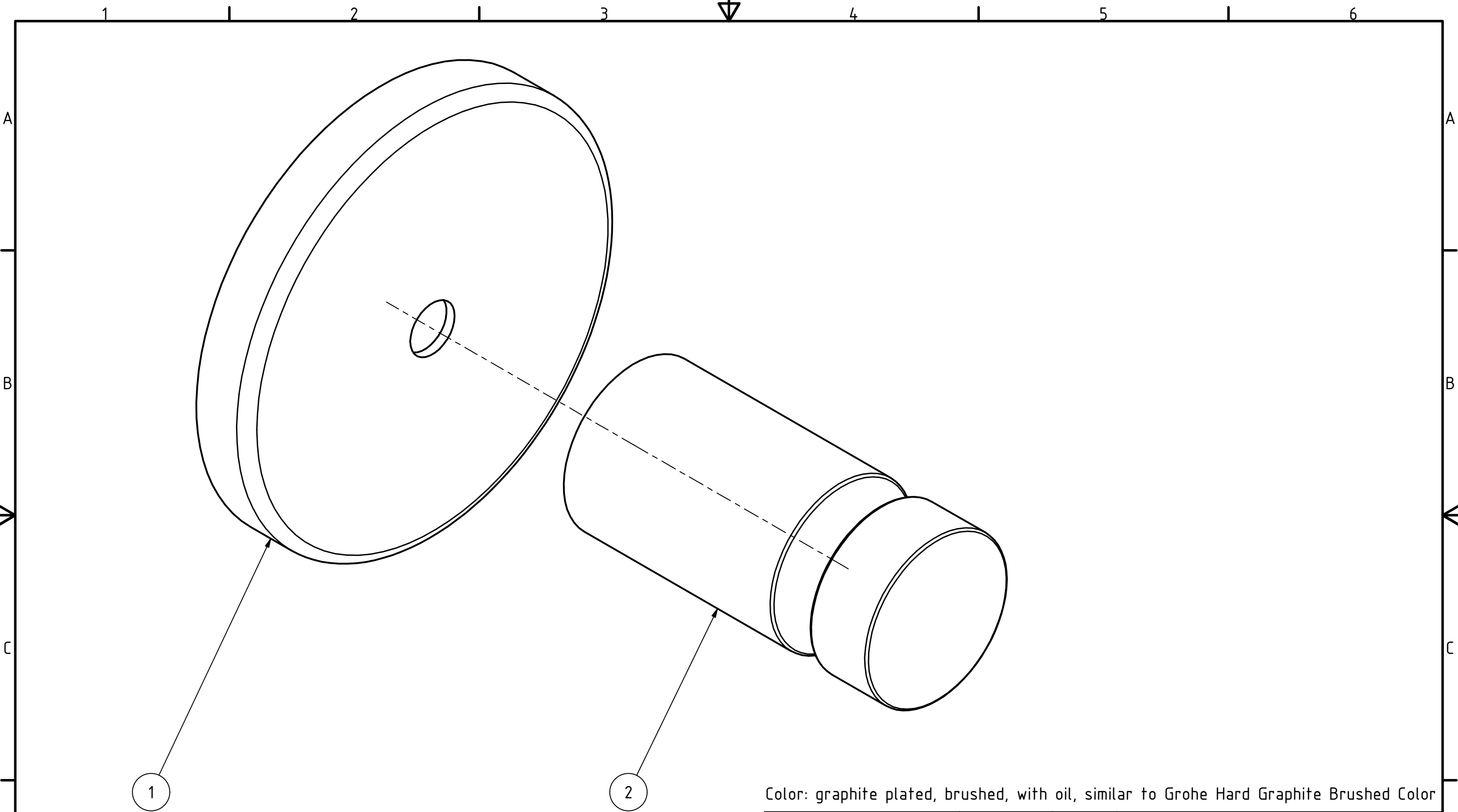


tnwb-ID:  
**MOON-Graphite** - graphite plated, brushed, w. oil  
 20549 (20547) - MO400GRAPHITE-T (Z)

All dimensions in this drawing are nominal dimensions (in mm) and have tolerances  
 Alle Maße in dieser Zeichnung sind Nennmaße (in mm) und haben Toleranzen

tesa nie wieder bohren GmbH Ein tesa Unternehmen		Tolerance DIN ISO 2768-mK	Surface DIN-ISO 1302	Scale 2 : 1	Weight 38 g
		Date	Name	Material:	
		drawn by 20.12.2022	SchreMi	Surface treatment: graphite plated, brushed, w. oil	
		checked by 21.12.2022	ReitbLi	Part name MOGraphite Handtuchhaken	
		released 22.12.2022	ReitbLi	Article MO400GRAPHITE-T	
Project / Series MO-Graphite				Drawing-No. MO400GRAPHITE MfDrw AA	Revision AA
Rev.	Date	Name	Releaser	Sheet Blatt 1/3 A3	
\\HAUS014.001\Shares\Allgemein\Produktmanagement\12_CAD\02_Baugruppe\02.1_Baugruppen_Serie\MO400GRAPHITE.iam					

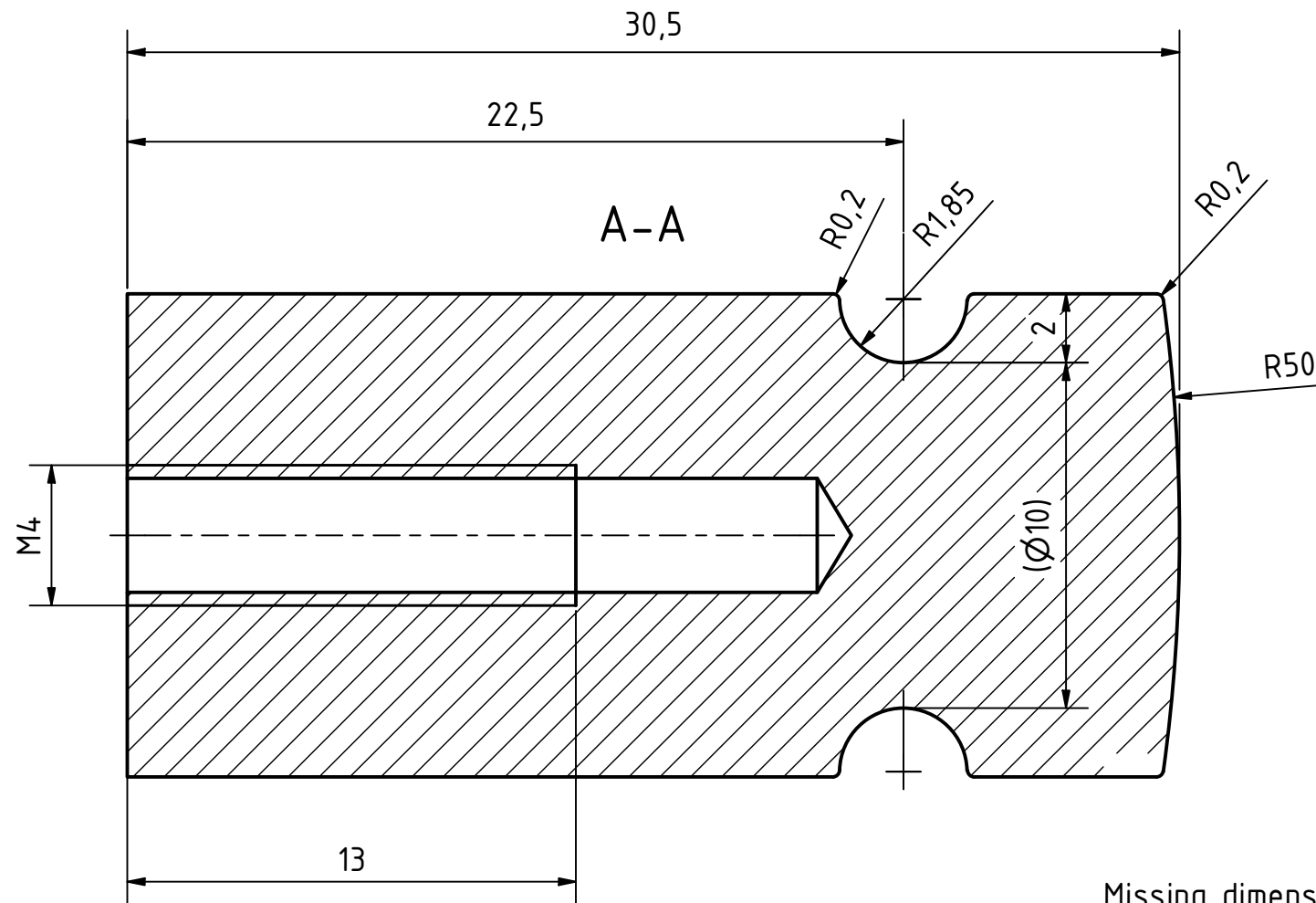
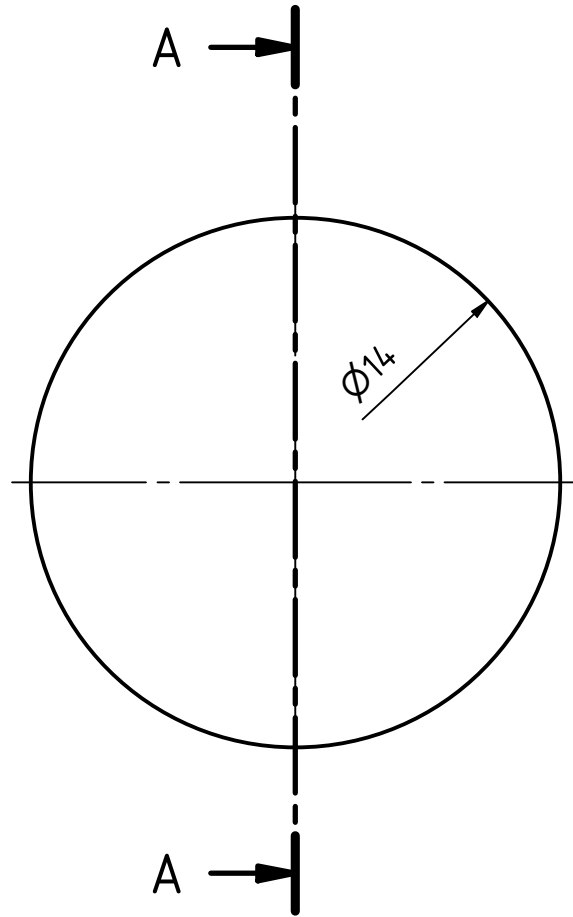


Color: graphite plated, brushed, with oil, similar to Grohe Hard Graphite Brushed Color

\* for details please find component drawing  
 \* genaue Angaben siehe Einzelteilzeichnung

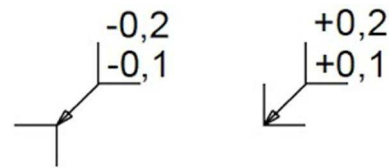
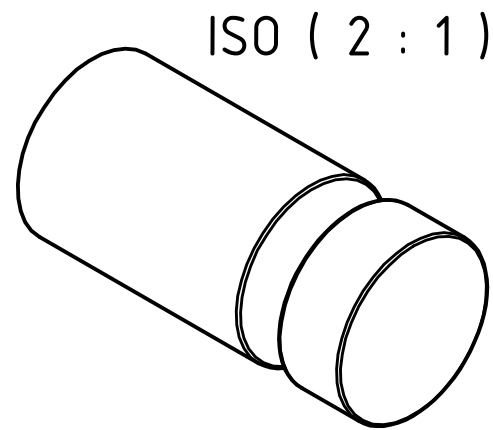
Bill of Material				
Pos.	Qty.	Part / Drw.-No.	Description	Material*
1	1	RU05M40350RGT_MfDrw	Rosette RU05 M4 H5 graphite V3	SUS304
2	1	MO400_3_MfDrw	Hook	Zamak 3

<b>tesa nie wieder bohren GmbH</b> Ein tesa Unternehmen		Tolerance DIN ISO 2768-mK	Surface DIN-ISO 1302	Scale 4 : 1	Weight -
		Date	Name	Material: Surface treatment: graphite plated, brushed, w. oil	
		drawn by	20.12.2022	Part name MOGraphite Handtuchhaken	
		checked by	21.12.2022	Article MO400GRAPHITE-T	
		released	22.12.2022	Drawing-No. MO400GRAPHITE MfDrw AA	
		Project / Series MO-Graphite		Revision	Sheet Blatt 2/3 A3
Rev.	Date	Name	Releaser	\HAUS014.001\Shares\Allgemein\Produktmanagement\12_CAD\02_Baugruppe\02.1_Baugruppen_Serie\MO400GRAPHITE.iam	



free of burr  
Gratfrei

Missing dimensions acc. to 3D-Data  
Fehlende Maße nach 3D-Datensatz



visible surface  $\sqrt{0,8}$

not visible surface  $\sqrt{6,3}$

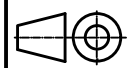
**Index**  
AB: add. items (see table)

for use in			
tnwb-ID	Article	-Z	Surface-treatment
12939	MO400	12923	nickel-plated
20100	MO400BLACK-T	20056	black matt powder coated, factory color Juding
20122	MO400GREY-T	20067	grey matt powder coated; similar to RAL7005
20116	MO400WHITE-T	20063	white matt powder coated, RAL9010
20548	MO400BRONZE-T	20546	graphite plated, brushed, with oil, similar to Grohe Hard Graphite Brushed Color
20549	MO400GRAPHITE-T	20547	bronze PVD brushed, with oil, similar to Grohe Warm Sunset Brushed Color
tesa nie wieder bohren GmbH Ein tesa Unternehmen		Tolerance DIN ISO 2768-mK	Surface DIN-ISO 1302
		Date	Name
		drawn by	SchreMi
		checked by	LakeSt
		released	ReitbLi
		Part name Hook	
		Article MO400 (-EO, -BLACK, -WHITE, -GREY)	
		Project / Series MO	Drawing-No. MO400 3 MfDgrw
		Revision AB	Sheet Blatt 3/3 A3
Rev.	Date	Name	Releaser
AB	22.12.2022	SchreMi	ReitbLi
\\HAUS014.001\Shares\Allgemein\Produktmanagement\12_CAD\03_Einzelteile\03.1_Einzelteile_Serie\M0400_03_Hook.ipt			

Weight -

Scale 5 : 1

Material: Zamak 3  
Surface treatment: see table



Part name  
Hook  
Article  
MO400 (-EO, -BLACK, -WHITE, -GREY)

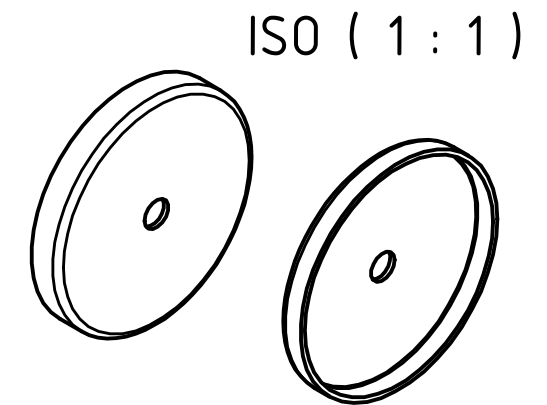
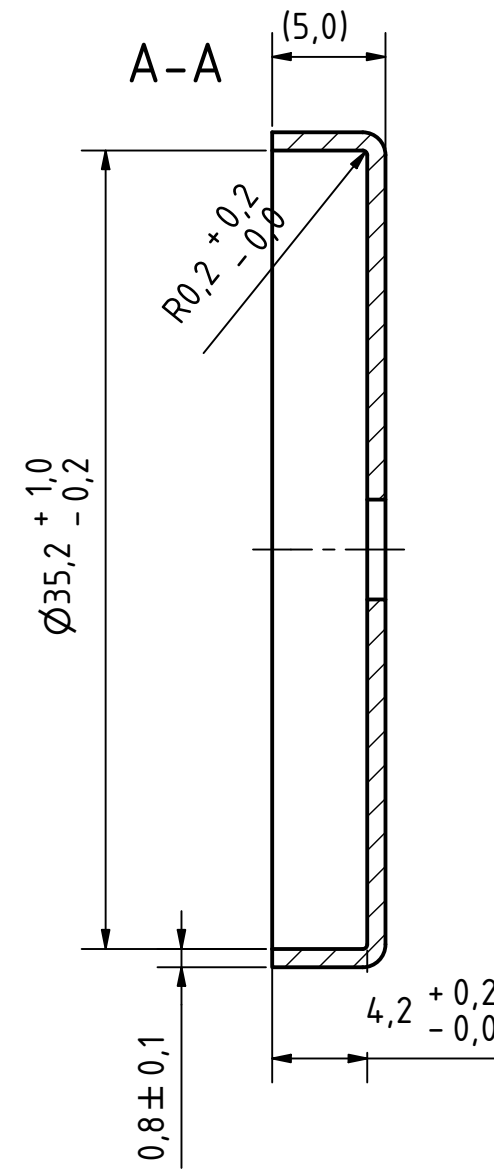
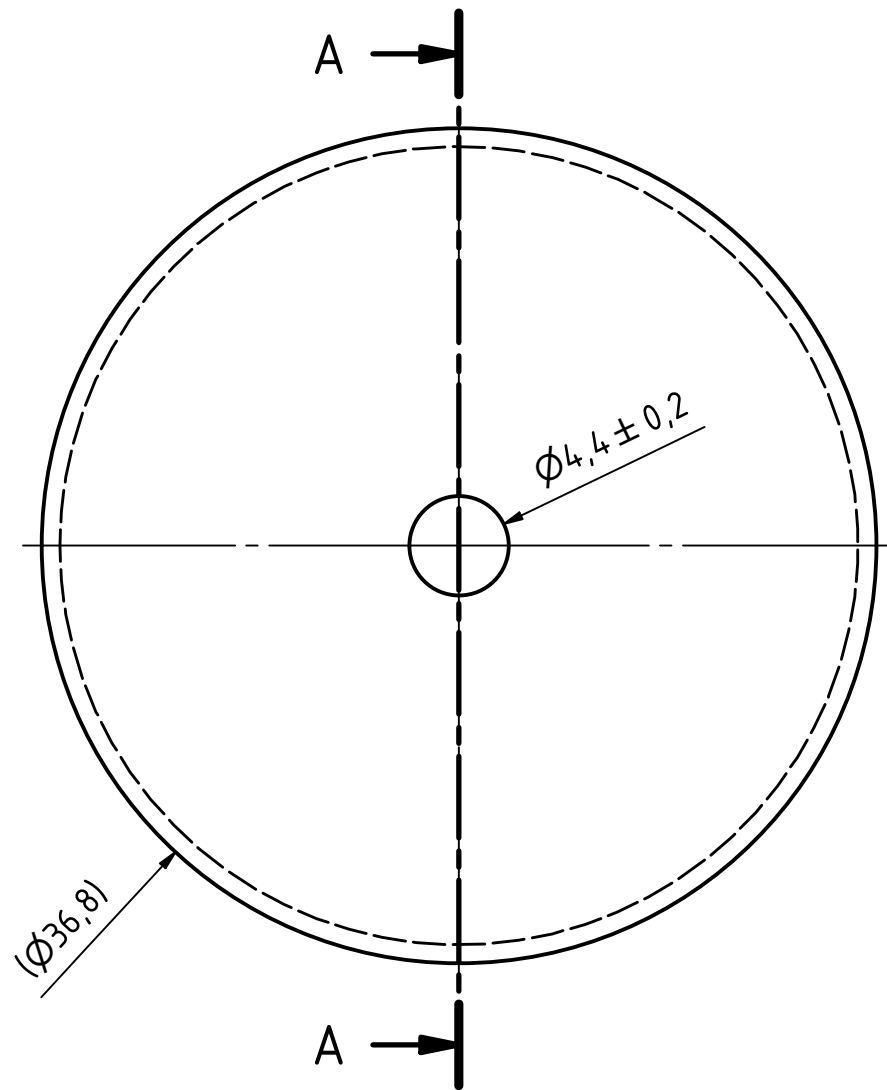
Drawing-No.  
MO400 3 MfDgrw

Revision  
AB

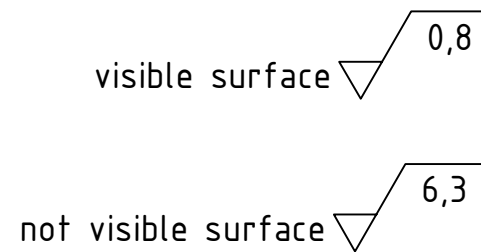
Sheet  
Blatt 3/3  
A3

for Adapter with Ø34mm , M4 Bolt  
für Adapter mit Ø34mm , M4 Bolzen

No burr permissible  
Kein Grat zulässig



ISO ( 1 : 1 )



tnwb ID:  
20580 - Rosette RU05 M4 H5 graphite V3  
Color: graphite plated, brushed, with oil, similar to Grohe Hard Graphite Brushed Color

tesa nie wieder bohren GmbH Ein tesa Unternehmen		Tolerance DIN ISO 2768-c	Surface DIN-ISO 1302	Scale 3 : 1	Weight 0,01 kg
		Date	Name	Material: SUS304	
		drawn by	SchreMi	Surface treatment: graphite plated, brushed, w. oil	
		checked by	ReitbLi	Part name Rosette RU05 M4 H5 graphite V3	
		released	ReitbLi	Article RU05M40350RGTLOSE	
		Project / Series MO-GRAPHITE		Drawing-No. RU05M40350RGTmfdrw AA	Revision AA
Rev.	Date	Name	Releaser	Sheet Blatt 1/1 A3	

Project / Series  
MO-GRAPHITE

Drawing-No.  
RU05M40350RGTmfdrw AA

Revision  
AA

Sheet  
Blatt 1/1  
A3